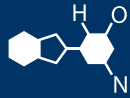


IF YOU...



MIX IT. FILL IT. PACK IT. SHIP IT.

WE HAVE A **PRODUCT** FOR YOU

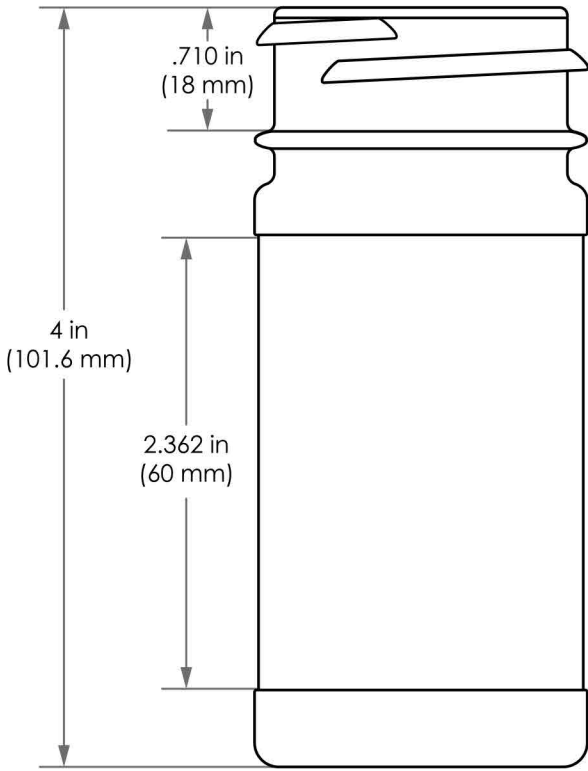
Part # 30WPP4



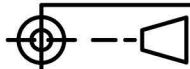
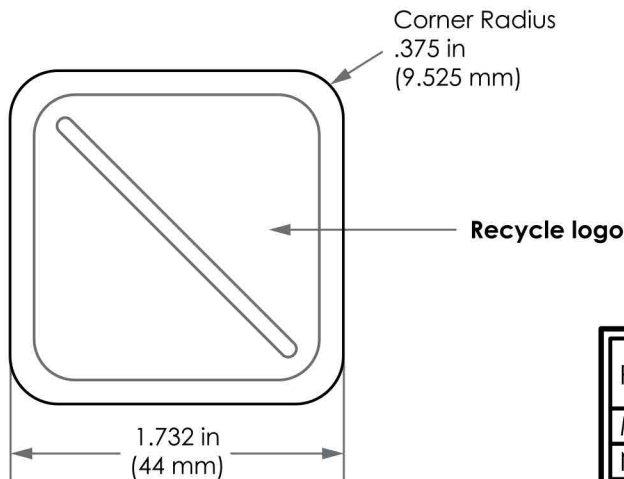
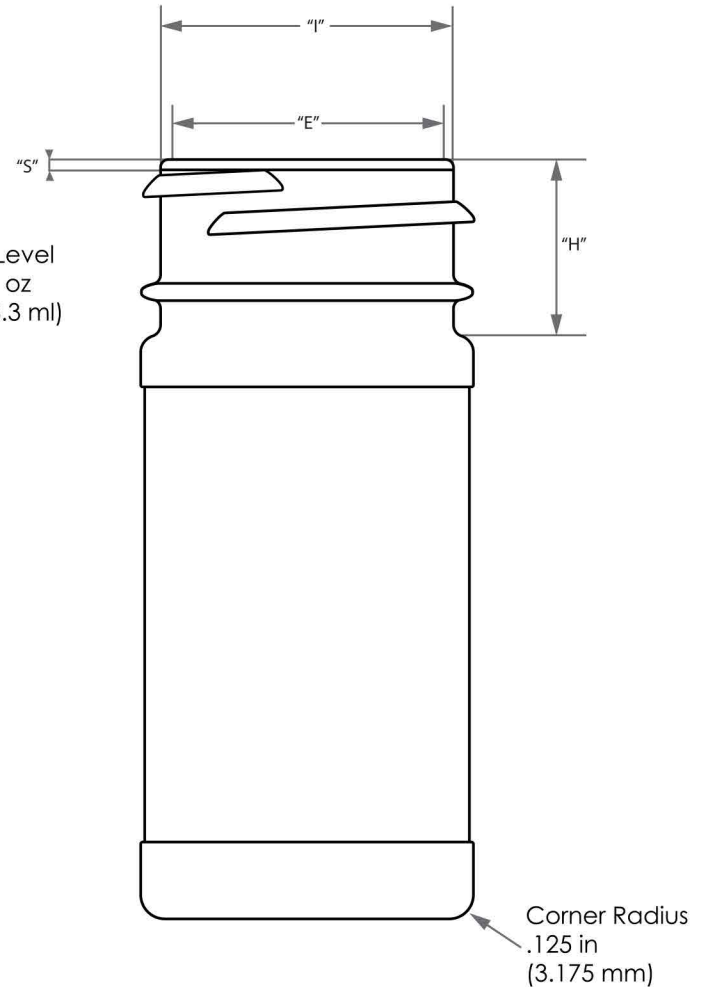
NOTE: SIZES ARE PRELIMINARY AND SUBJECT TO DEVELOPMENT

Neck Details:

- I: 1.614 in (41 mm)
- E: 1.509 in (38.35 mm)
- H: .919 in (23.36 mm)
- S: .065 in (1.65 mm)



Fill Level
4 oz
(118.3 ml)



Project name : 4oz Square Spice	
Material: Natural Polypropylene	
Neck: 43-485	Fill Vol: 4 oz (118ml)
Scale: 1 : 1	Target weight: 15 g
The CARY COMPANY <small>Est. 1895</small>	

Label Specs: Length: 5.905 in (150 mm) X Height 2.362 in (60 mm)
Corner Radius: .125 in (3.175 mm)

Drawn by: D. Church	Dwg. no. : 01
Date: Jan/28/2016	