

IF YOU...



MIX IT. FILL IT. PACK IT. SHIP IT.

WE HAVE A PRODUCT FOR YOU

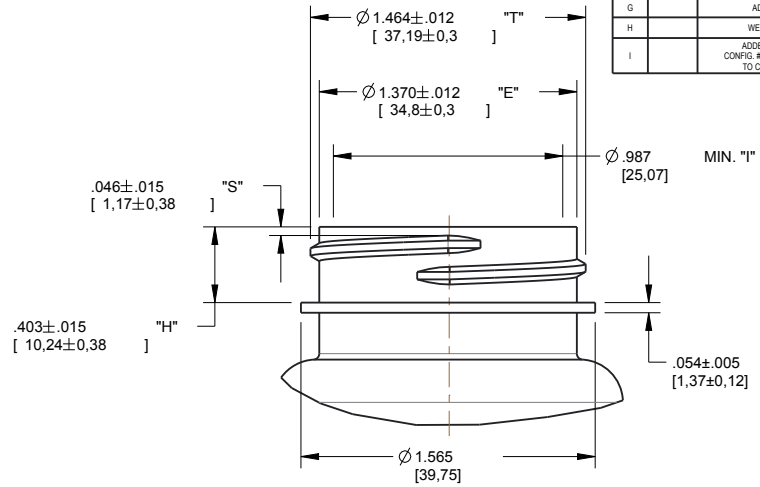
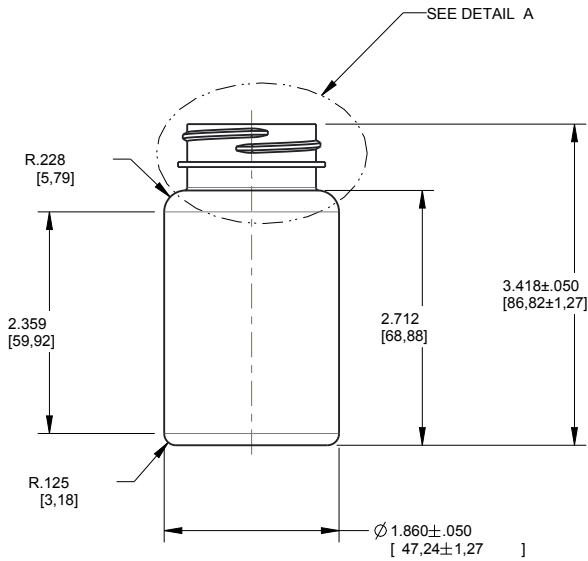
Part #: 30WPU1



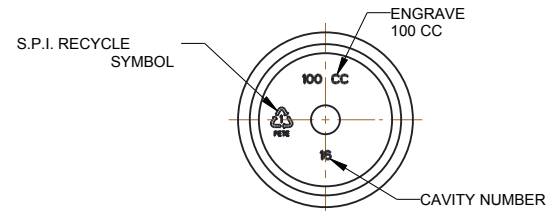
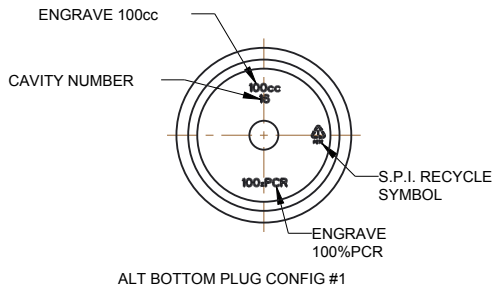
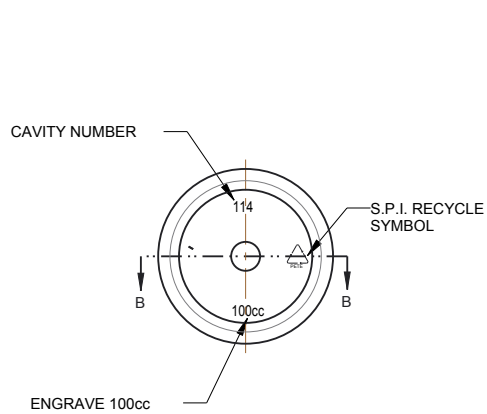
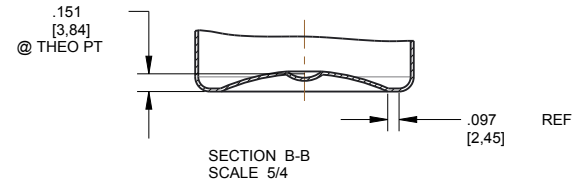
The
CARYCOMPANY
Est. 1895

1195 W. Fullerton Ave. | Addison, IL 60101 | T: 630.629.6600 | F: 630.629.3690 |

REV	E.C.N.	DESCRIPTION	BY	DATE
F		ADDED METRIC	SCT	27-APRIL-10
D		ADDED ALT. CONFIG.	SCT	04-NOV-10
H		WEIGHT WA# 1.0g	SCT	17-SEPT-13
I		ADDED ALT. BOTTOM PLUG CONFIG #2 AND UPDATED DRAWING TO CURRENT STANDARDS	JAZ	01-FEB-18



DETAIL A
L38-400 NECK FINISH
6 T.P.I., 1 THREAD TURN
.250 MIN. "I" DEPTH
SCALE 2/1



DISCLAIMER: The Cary Company assumes no responsibility for form, fit and function of closures, accessories, and/or shelf life and compatability of intended contents with this bottle.			
Specification General:	Min. Thk (in.)	Weight (g)	Overflow (mL)
All measurements are in inches, [mm]	.010	18 ± 3.0g	124 ± 5.0cc
	.010	21 ± 3.0g	119 ± 5.0cc
	.010	24 ± 3.0g	116 ± 5.0cc
Base engraving is subject to change location & size.			
Tolerance where not shown:	NECK FINISH: L38-400		
Decimal ±0,05 (1,27)	MATERIAL: PET		
Angular ±1°	Approved By: SJ		
The CARY COMPANY EST. 1895		Drawing Number: 100PS1XX38L400	
Scale: 1/1	NPD #:	Drawn By: SCT	Date: 25-JULY-00
100cc STRAIGHT SIDED			Dwg/Rev: I