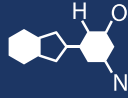


IF YOU...



MIX IT. FILL IT. PACK IT. SHIP IT.

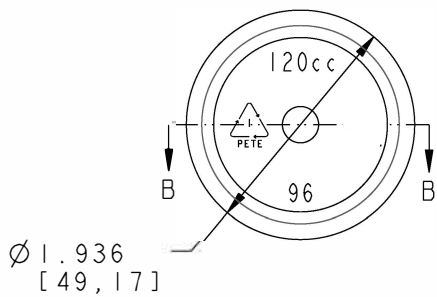
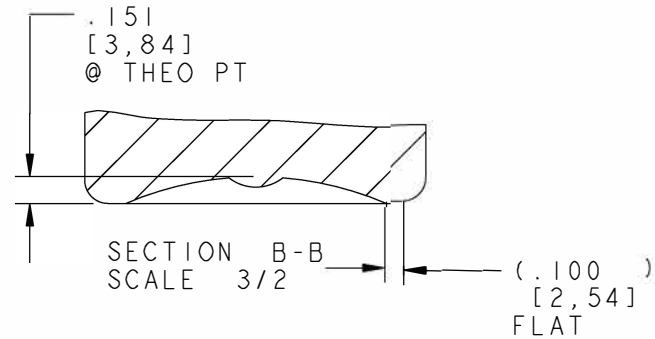
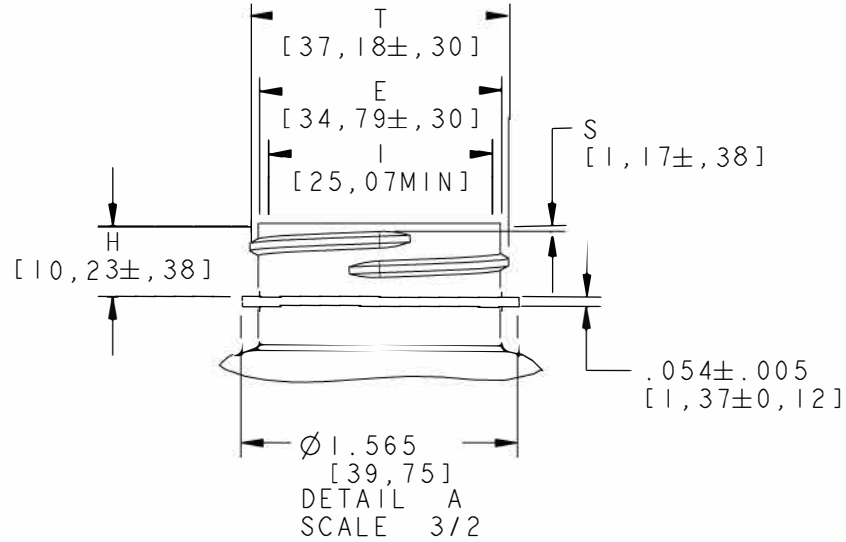
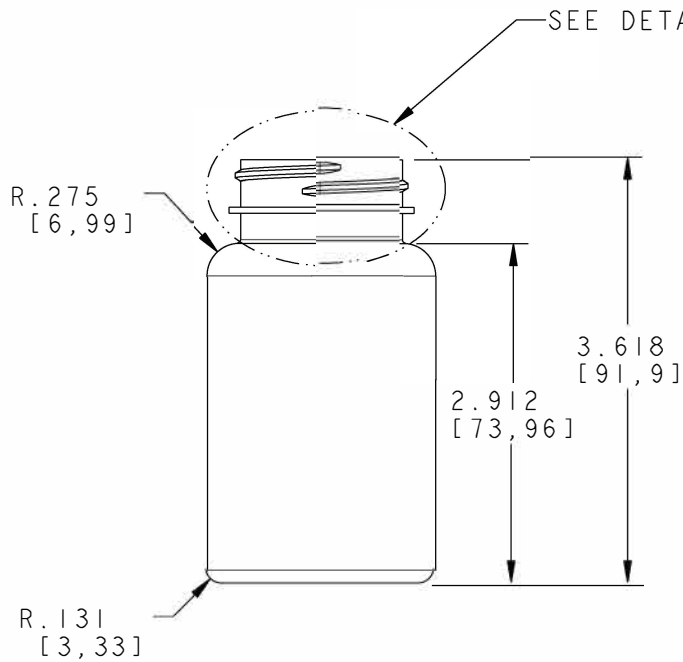
WE HAVE A PRODUCT FOR YOU

Part #: 30WPU2



The
CARYCOMPANY
Est. 1895

1195 W. Fullerton Ave. | Addison, IL 60101 | T: 630.629.6600 | F: 630.629.3690 |



		p y				The CARY COMPANY Est. 1895		
		Color	Weight	Std. Pack	Revisions	Scale: 1/1	Drawn By: SCT	Date: 07-25-00
All measurements in inches, metric	OC 251	Color [M]	21 Gms±3	576, Stack	F Add Metric 4/30/10, scf	120cc PACKER, STRAIGHT SIDED, 38-400 CT, PET	120S38PET	F
	OC 251	All Colors Not Gran 150 P	24 Gms±3	450, Bulk	F Rmv 160. wt was ±1.9/17/13, scf			
Neck Dimensions:					Tolerance: Where not shown Decimal ±0.05 [1,27] Angular ±1°	Approved By: SJ	Drawing NO: 120PS1XX38L400	
			Overflow Capacity: 142 ml ± 5		PET			