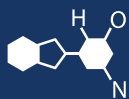


IF YOU...



MIX IT. FILL IT. PACK IT. SHIP IT.

WE HAVE A **PRODUCT** FOR YOU

Part #: 30WPU3

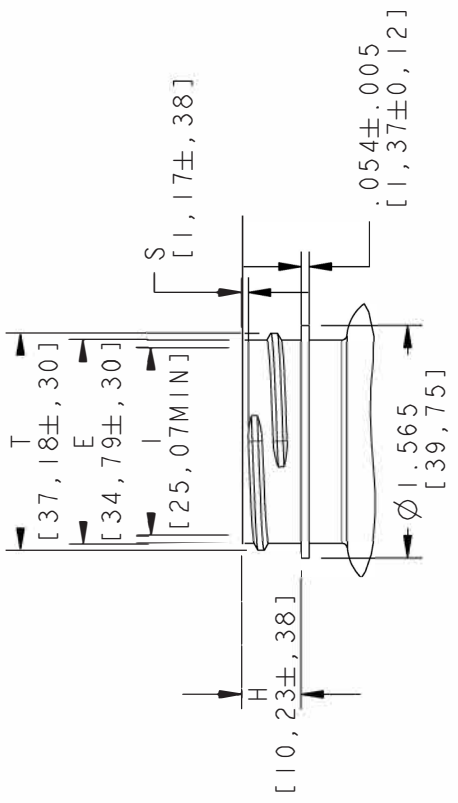
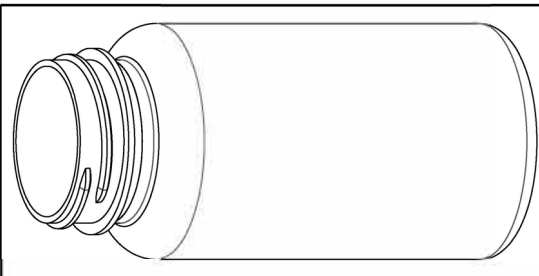
Plastic Packer Bottles

5 oz. (150 cc) Cobalt Blue PET Plastic Packer Bottle,
38mm 38-400

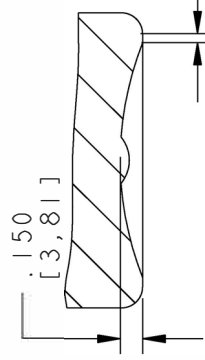
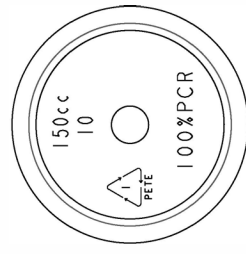


The
CARYCOMPANY
Est. 1895

1195 W. Fullerton Ave. | Addison, IL 60101 | T: 630.629.6600 | F: 630.629.3690 |

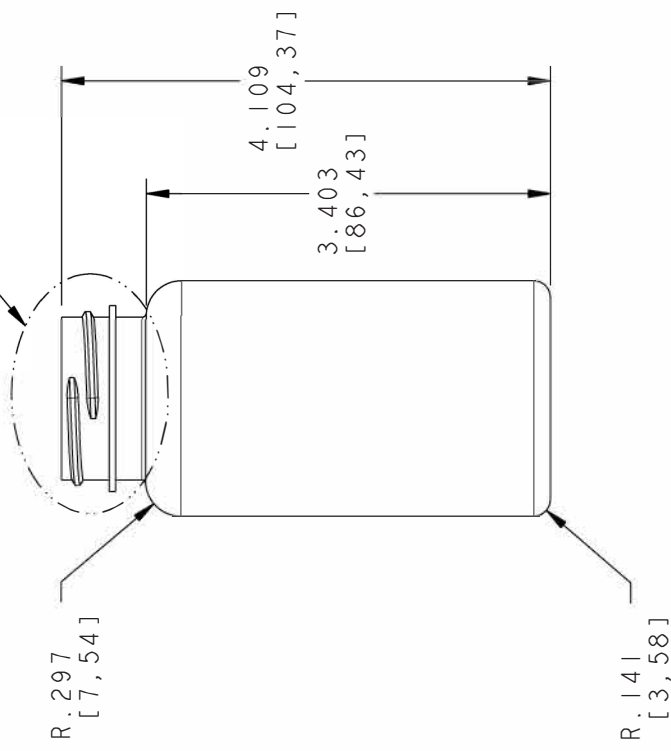


DETAIL A
SCALE 5/4



SECTION B-B
SCALE 5/4

SEE DETAIL A



ALT BOTTOM PLUG CONFIG

| | | | | | |
|---------------------------------------------------------------------------------------------------------|---------------------------------------------------|-------------------------------|------------------------|--------------------------------------------------------------------------------------------------------------------------------------------------------------|--|
| Neck Finish: L38SP400 | | p | | y | |
| Min Thk | Color | Weight | Std. Pack | Revisions | |
| All measurements are in inches, [Metric] | .012[.30] All Colors .012[.30] Heavy Gram 20 P | 21 Gms±3 24 Gms±3 | 410, Bulk 410, Bulk | Pack was 532 Sct 5/25/11, sct M WT was 21.97/16/13, sct | |
| Neck Dimensions: T = 1.464±.012 E = 1.370±.012 H = .403±.015 I = 0.987 MIN S = .046±.015 | | Overflow Capacity: 170 ml ± 6 | | Scale: 1/1 Drawn By: SCT Date: 07-25-00 Deg/Bet: 150cc, STRAIGHT SIDED, PET, 38-400 CT 150S38PET M Approved By: SJ Drawing NO: 150PS1XX38L400 | |