

IF YOU...



MIX IT. FILL IT. PACK IT. SHIP IT.

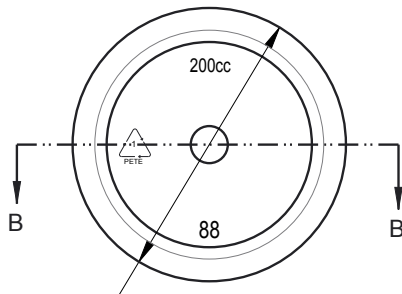
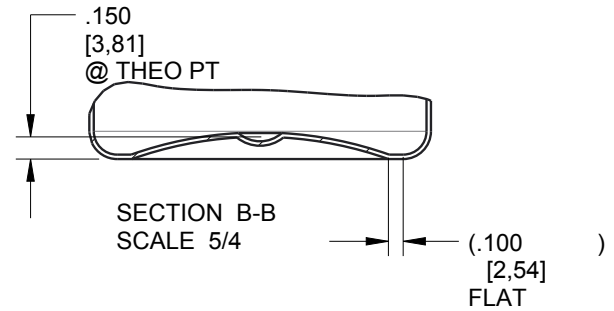
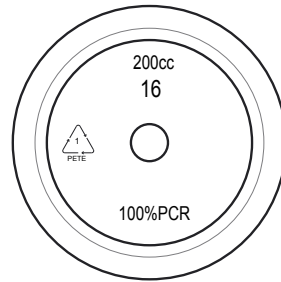
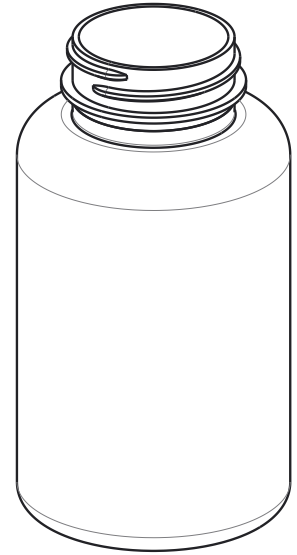
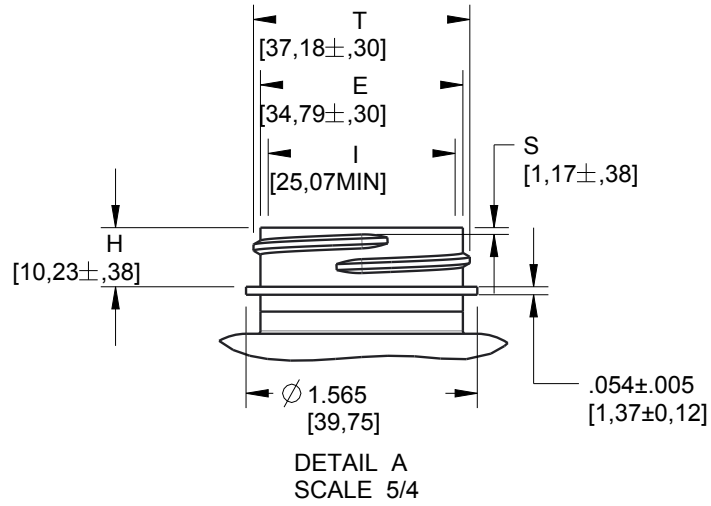
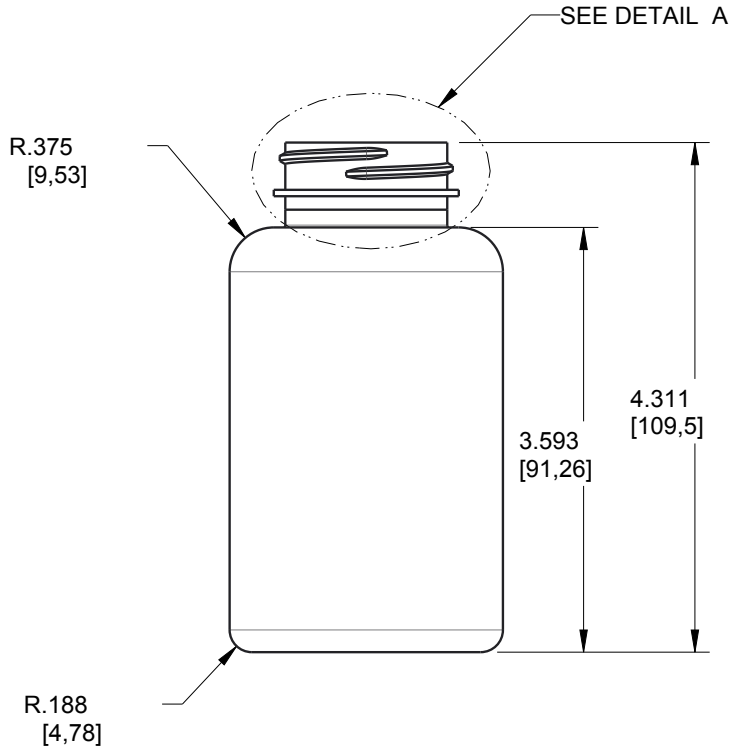
WE HAVE A PRODUCT FOR YOU

Part #: 30WPW0



The
CARYCOMPANY
Est. 1895

1195 W. Fullerton Ave. | Addison, IL 60101 | T: 630.629.6600 | F: 630.629.3690 |



Neck Finish: L38SP400							The CARY COMPANY Est. 1895	
Special Instructions:		Color	Weight	Std. Pack	Revisions		Scale: 1/1	Drawn By: SCT
	.012[.30]	All Colors	24 Gms± 3	335, Stack	F	Chg was 4/28/01-24-07.sct	Date: 05/02/08	
	.014[.35]	All Colors	26 Gms± 3	310, Bulk	G	Add Metric 5/3/10.sct	DwgRev	
Neck Finish:					H	Add 28g 6/7/10.sct		
Neck Dimensions:					J	Add Alt Config 11/4/10.sct		
T = 1.464±.012					K	Wt was ± 1.9/17/13.sct		
E = 1.370±.012					Tolerance: Where not shown Decimal ±0.050 Angular ±1°		200cc, PACKER, STRAIGHT, 38-400 CT, PET	
H = .403±.015					Material: PET Polyethylene Terephthalate	Approved By: SJ	200S38PET	
I = .987 MIN						Drawing NO:	K	
S = .046±.015							200PS1XX38L400	
Overflow Capacity:	241 ml ± 7							