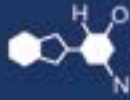


# IF YOU...



MIX IT. FILL IT. PACK IT. SHIP IT.

# WE HAVE A **PRODUCT** FOR YOU

Part #: 30WQAB

---

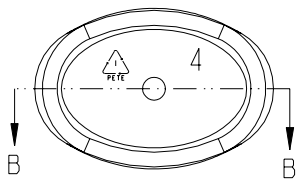
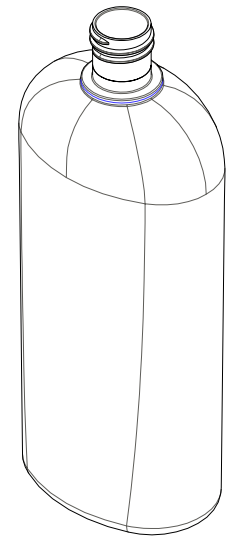
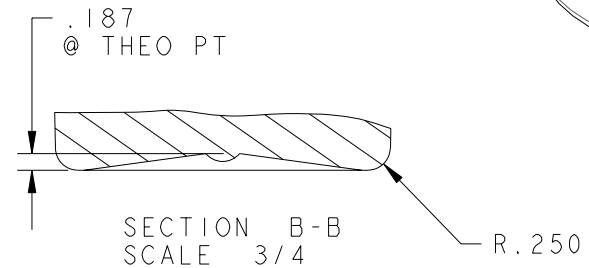
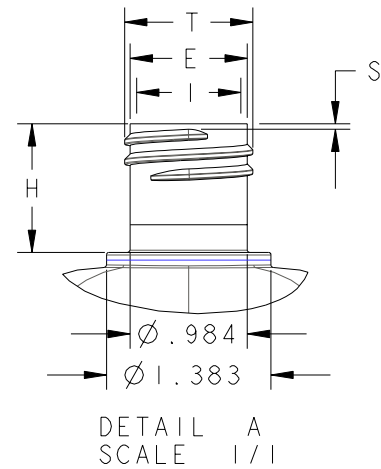
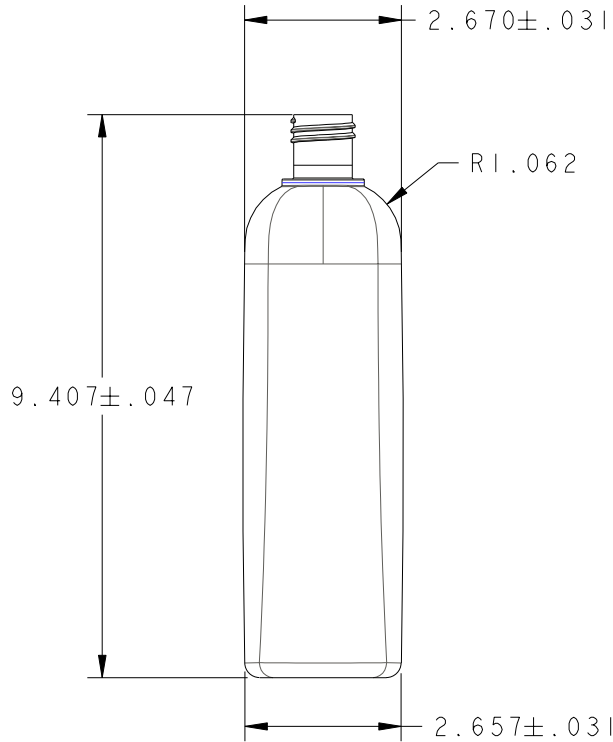
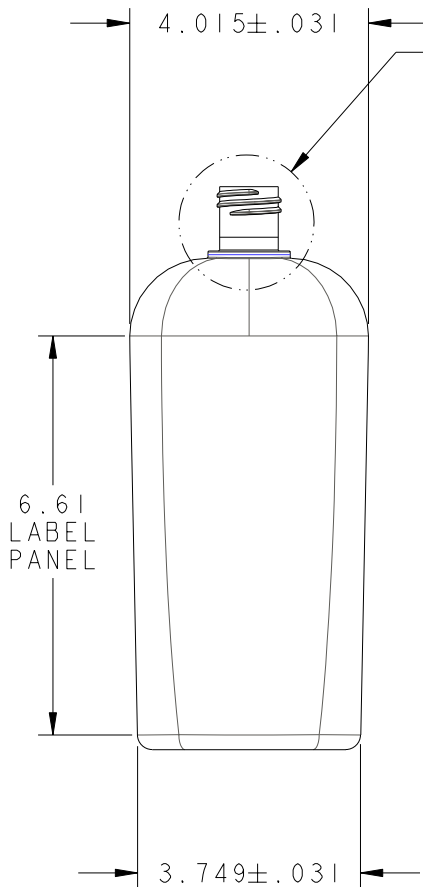
---



---

The  
**CARY**COMPANY  
Est. 1895

1195 W. Fullerton Ave. | Addison, IL 60101 | T: 630.629.6600 | F: 630.629.3690 |



Neck Finish: M28SP415		<b>DISCLAIMER:</b> The Cary Company assumes no responsibility for form, fit and function of closures, accessories, and/or shelf life and compatability of intended contents with this bottle.							
All measurements are in inches	Min Thk	Color	Weight	Std. Pack	<b>Revisions</b> <table border="1"> <tr><td> </td></tr> <tr><td> </td></tr> <tr><td> </td></tr> <tr><td> </td></tr> </table>				
	.009	All Colors	66 Gms±2	60, Stack					
Neck Dimensions:		Tolerance: Where not shown			<b>The CARY COMPANY</b> <small>Est. 1899</small> Scale:      Drawn By: SCT      Date: 04-27-06 <b>1000ml OVAL, VALE, PET, 28-415 CT</b> DwgRev: -				
T = 1.078±.010 E = .984±.010 H = 1.082±.015 I = .874±.015 ∇.125 S = .046±.015		Decimal ±0.050 Angular ±1°							
		Material: PET			Approved By: S Jenn      Drawing NO: 30WQAB				
		Overflow Capacity: 1043 ml ± 15							