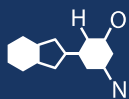


IF YOU...



MIX IT. FILL IT. PACK IT. SHIP IT.

WE HAVE A **PRODUCT** FOR YOU

Part #: 30WQFW

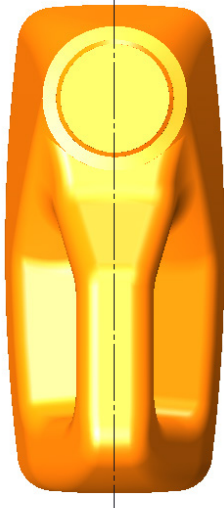
Plastic F-Style Bottles

32 oz. White HDPE Plastic F-Style Bottle,
33mm 33-400, 7.425" H

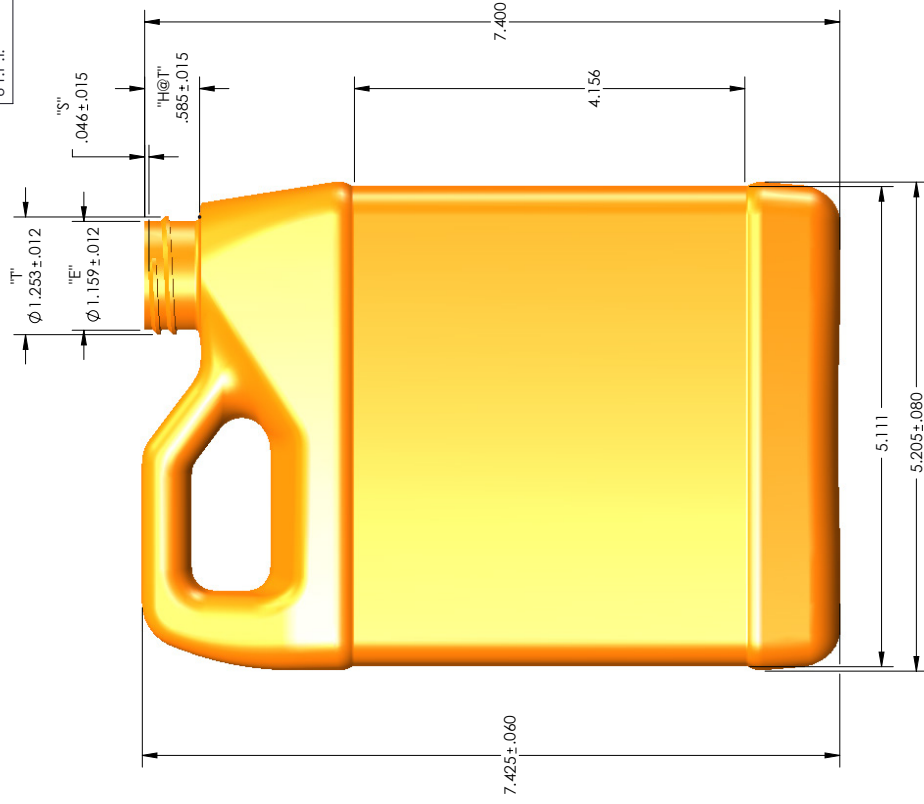


The
CARYCOMPANY
Est. 1895

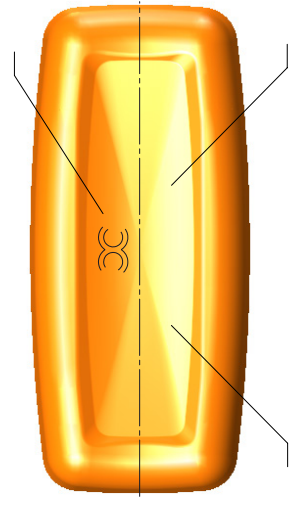
1195 W. Fullerton Ave. | Addison, IL 60101 | T: 630.629.6600 | F: 630.629.3690 |



M33SP400 MODIFIED
SPECIAL "H"
1-1/2 TURNS OF THREAD
6 T.P.I.



AUXILIARY VIEWS
NOT TO SCALE



- NOTES:
1. NECK FINISH: M33SP 400 MODIFIED "H"
 2. MATERIAL: HDPE
 3. WEIGHT: 60 GRAMS
 4. NOMINAL FILL: 32FL. OZ.
 5. APPROX. OVERFLOW: 1083 +/-20ml [36.62 +/- .68FL. OZ.]

The CARY COMPANY Est. 1895	
TITLE	32oz. F-STYLE HDPE
DESCRIPTION	PRODUCT DRAWING
SCALE	1:1 & NOTED
DATE	5851
DESIGNED BY	5851PD