

# IF YOU...



MIX IT. FILL IT. PACK IT. SHIP IT.

# WE HAVE A PRODUCT FOR YOU

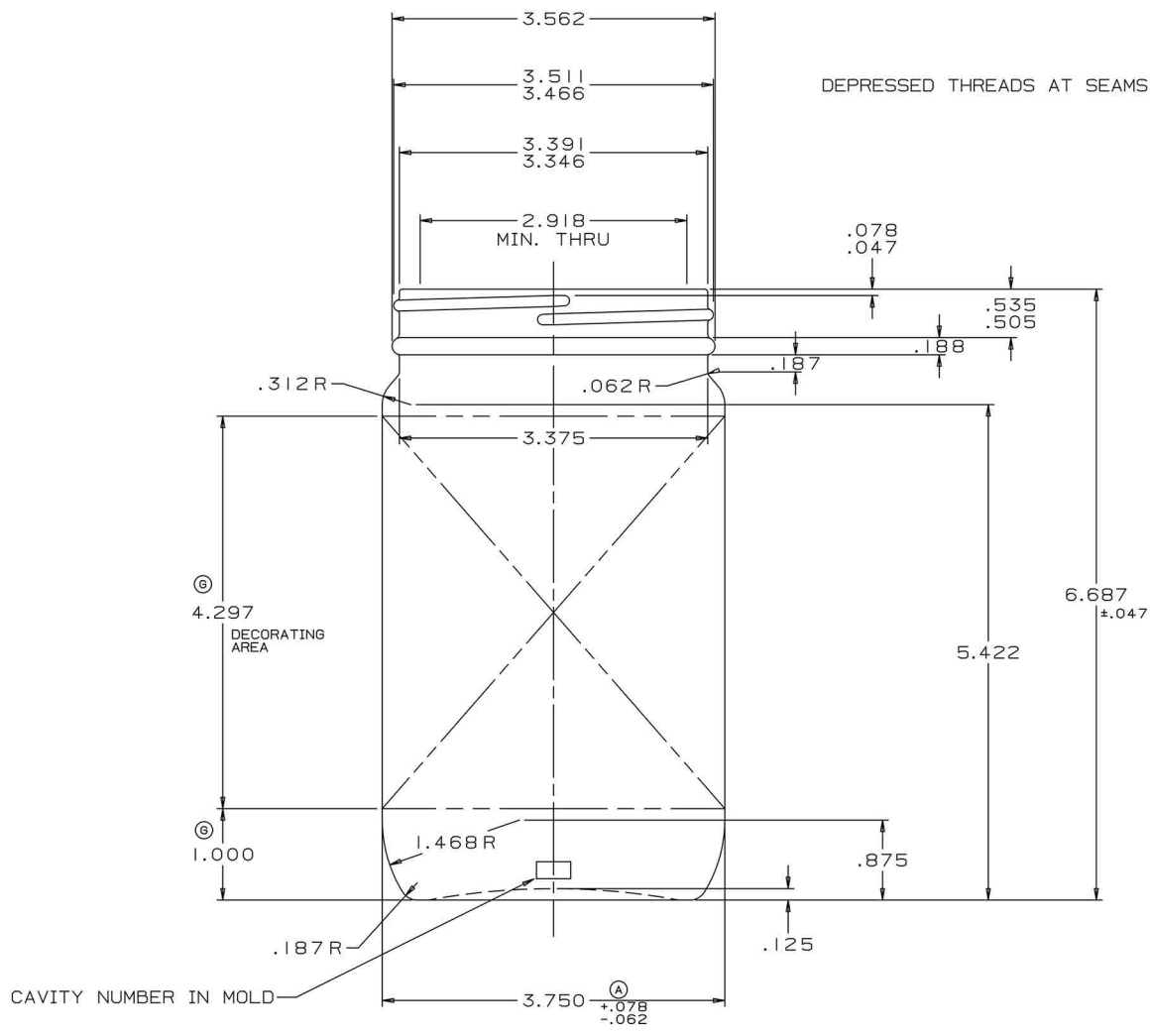


Part #	30WQPG
Capacity	32 oz.
Overflow Capacity	32.867" oz. (972 ml)
Bottle Style	Spice-Round
Color	Clear
Material	Glass
Dimensions	3.75"Dia. x 6.687"H
Label Panel Dimensions	3.75"Dia. x 4.297"H
Neck Finish	89-405
Neck Width	89mm
FDA Approved	Yes
Case Pack	12 ea.
Pallet Pack	1,452 ea. (121 Cases)



CUSTOMER NOTE!  
IN ORDER TO ACHIEVE STANDARD  
5% MIN. HEADSPACE, PRACTICAL  
FILL MUST BE REDUCED TO 30.9oz.  
DUE TO 972cc OVERFLOW CAPACITY.  
CONTAINER WILL HOLD 32oz. BUT  
WITH 1.5% MIN. HEADSPACE.

Ⓒ	ADD DECORATING AREA	3/12/2015
Ⓕ	MOVED CAVITY NUMBER FROM 10 TO 11	3/12/2015
Ⓖ	REVISED STIPPLE TO PRESENT STYLE	2-28-2008
Ⓓ	MOVED CAVITY NUMBER FROM 10 TO 11	03.31.08
Ⓒ	ADD CODING DOTS	7-20-99
Ⓕ	MOVED CAVITY NUMBER FROM 10 TO 11	2-22-98
Ⓖ	REVISED BODY TOLERANCE	4-9-92
Ⓒ	REVISED TO MATCH CUST. PRINT	2-7-90
REVISIONS		



CUSTOMER	MOLD REGISTER NO. L-697R	DATE DRAWN 1-9-90
TITLE	SCALE OTHERWISE SPECIFIED	DRAWN BY BABBITT
PRACTICAL FILL 32oz. APPROX.	APPROX. WT. 15.70oz	CHECKED BY
CAPACITY 972cc ±11cc OF.		
FINISH G.P.I.400-B9-405		

DRAWING NO. \_\_\_\_\_

445.14 GRAMS FLINT

