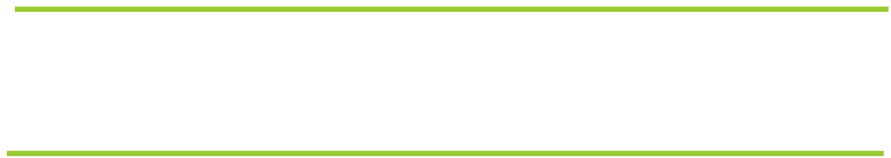


IF YOU...



MIX IT. FILL IT. PACK IT. SHIP IT.

WE HAVE A **PRODUCT** FOR YOU



Part #	30WR33
--------	--------

Neck Width	38mm
------------	------

Neck Finish	38-400
-------------	--------

Color	White
-------	-------

Material	PP
----------	----

Case Pack	200 ea.
-----------	---------

Pallet Pack	2,400 ea. (12 Cases)
-------------	----------------------

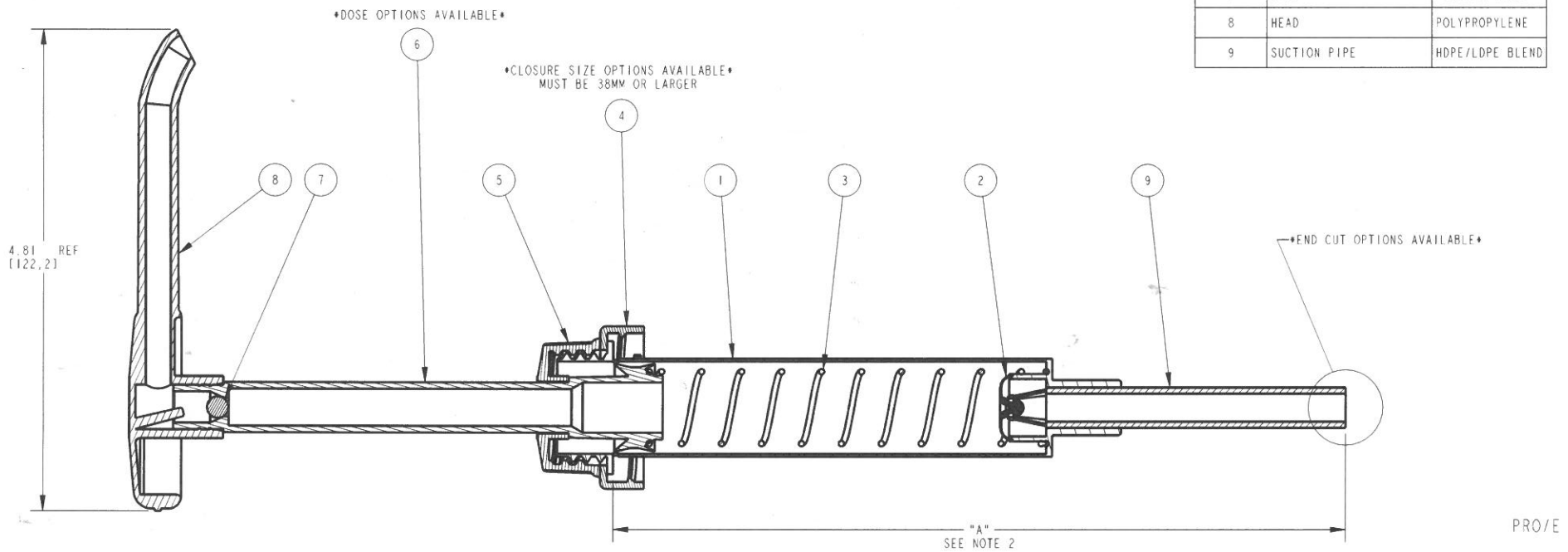
Case Dimensions	21" x 20" x 12"
-----------------	-----------------

FDA Approved	Yes
--------------	-----

Model	Rieke® R-30
-------	-------------



INDEX	DESCRIPTION	MATERIAL
1	BODY	POLYPROPYLENE
2	UMBRELLA VALVE	NITRILE RUBBER
3	SPRING	STAINLESS STEEL
4	CLOSURE	POLYPROPYLENE
5	COLLAR	POLYPROPYLENE
6	PLUNGER	HDPE
7	BALL	POLYPROPYLENE
8	HEAD	POLYPROPYLENE
9	SUCTION PIPE	HDPE/LDPE BLEND



NOTES:
 1) DIMENSIONS ARE IN INCHES (MILLIMETERS)
 2) DIMENSION "A" PER CUSTOMER SPECIFICATION

BREAK ALL SHARP EDGES WITH 1/8" RADIUS, UNLESS OTHERWISE SPECIFIED		DATE	DRAWN BY
THE FOLLOWING TOLERANCES APPLY UNLESS OTHERWISE SPECIFIED:		09-OCT-12	JLK
ANGLES	± 1/4"	SCALE	
X.XX [X.X]	± .010 [0.25]	APPROVED	
X.XXX [X.XX]	± .005 [0.13]		

CHECKED	CHANGE NUMBER	CHANGE	DATE	BY
-				

TITLE		R30 GENERAL ASSEMBLY	
PRODUCT		R30 PUMP	
DRAWING NUMBER		28002986	
MFG LOCATION		AUBURN	
MATERIAL		TEMPER N/A	
DETAIL NUMBER		R30-GA	



1195 WEST FULLERTON - ADDISON, IL 60101 - WWW.THECARYCOMPANY.COM - PH. 630-629-6600 - FX. 630-629-3690

Description	R-30,20ML,38/400,11-1/4"DT,200/CTN	
Specification number	Item Number: 08350028	
Date	October 10, 2012	Page 1 of 1
Prepared by	Jeff Hess	
Approved by	Jeff Greenfield	

PARAMETERS	SPECIFICATION	TEST METHOD
Material of construction	Type:- Polypropylene	COA
Standard Color (other colors available upon request)	White	QC Spec Visual
Nominal dimensions in inches (mm)		QC Spec Variable/Attribute Gauge
Opening Print Drawing Number	Rev:	
Special markings		
Accessories		
Applied torque		
Method of delivery	200 /carton polybagged - ~ 25lbs. gross/carton - 20 cartons/pallet	
Components	11.25" dip tube - 38/400 screw cap - 20 ml dose	Drawing No. 28002986 Rev: none