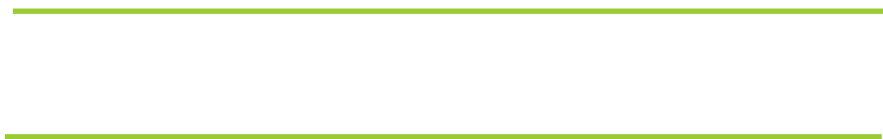


IF YOU...



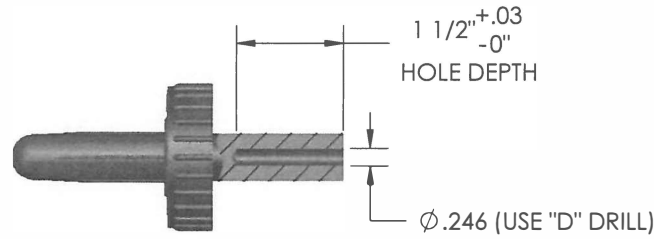
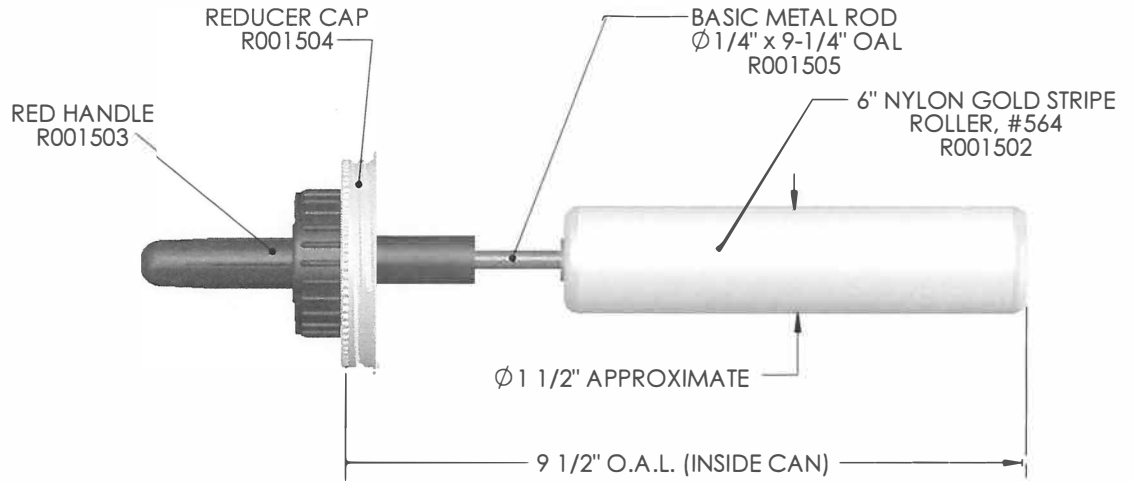
MIX IT. FILL IT. PACK IT. SHIP IT.

WE HAVE A PRODUCT FOR YOU



| | |
|------------------------|---|
| Part # | 30WRLA |
| Liner Compatability | Glass, PE (HDPE, LDPE), PET, PP, PVC, Universal |
| Color | Red |
| Material | Aluminum |
| Dimensions | 12" (30 cm) |
| Case Pack | 300 ea. |
| Pallet Pack | 19,500 ea. (65 Cases) |
| Case Dimensions | 18" x 11" x 13" |
| Country of Manufacture | United States |





| CUSTOMER APPROVAL: | |
|--------------------|------|
| NAME | DATE |
| | |

- NOTES:
 1. ROD LENGTH $9.250 \pm .063$
 2. 1.5 INSERTION DEPTH INTO RED HANDLE

| | |
|----|----------------|
| 01 | REVISED FORMAT |
| | |
| | |

UNLESS OTHERWISE SPECIFIED:
 DIMENSIONS ARE IN INCHES
 TOLERANCES:
 FRACTIONAL $\pm 1/16$ "
 ANGULAR $\pm 2^\circ$
 TWO PLACE DECIMAL $\pm .02$
 THREE PLACE DECIMAL $\pm .010$

| | | |
|----------------------|------|---------|
| | NAME | DATE |
| DRAWN | CNB | 4/21/06 |
| CHECKED | JME | 4/5/17 |
| | | |
| | | |
| SCALE: 1:8 | | |
| DO NOT SCALE DRAWING | | |
| SHEET 1 OF 1 | | |



| | | |
|---|----------|------------------|
| TITLE: ROLLER APPLICATOR ASSEMBLY | | |
| SIZE A | DWG. NO. | REV 01 |

