

IF YOU...



MIX IT. FILL IT. PACK IT. SHIP IT.

WE HAVE A PRODUCT FOR YOU

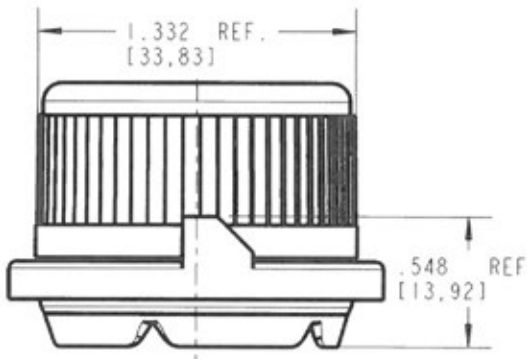
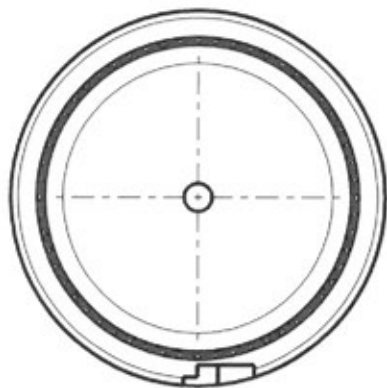
Part #: 30WRZ3



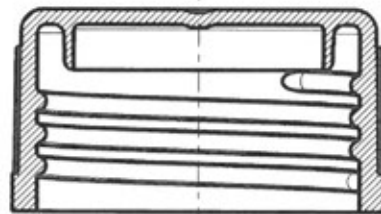
The
CARYCOMPANY
Est. 1895

1195 W. Fullerton Ave. | Addison, IL 60101 | T: 630.629.6600 | F: 630.629.3690 |

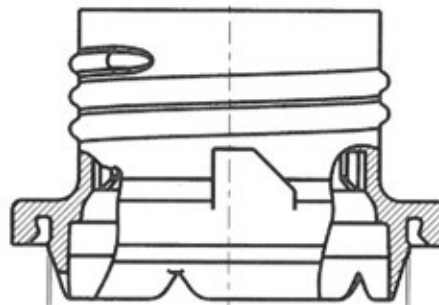
NON CHILD RESISTANT VERSION



CHILD RESISTANT VERSION

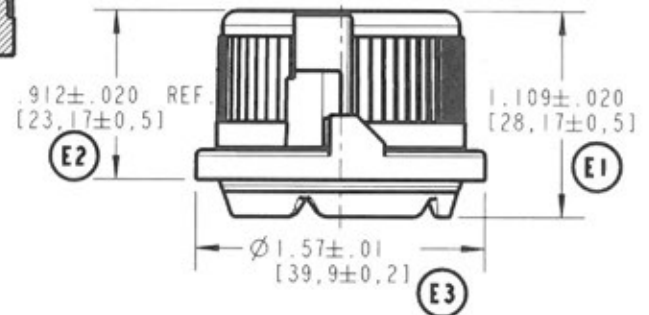
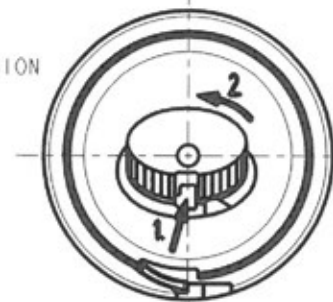


CAP



BASE

1.290 [32.77]
1.310±.010 [33.27±0.25]



PRO/E

CUSTOMER DRAWING

DRAWING UNITS = in[mm]

BREAK ALL SHARP EDGES WITH 1/64" RADIUS, UNLESS OTHERWISE SPECIFIED

DATE
28-MAR-03

DRAWN BY
RJ

THE FOLLOWING TOLERANCES APPLY UNLESS OTHERWISE SPECIFIED:

CHECKED
TPK

ANGLES ±1/4°

SCALE

HUNDREDTH ±.010

NTS

THOUSANDTH ±.005

APPROVED

| | | | |
|---------------|---|-----------|-----|
| E | E1: 1.109±.020 WAS 1.121±.025 E2: .912±.02 WAS .92, E3: ADDED TOLERANCES | 22-JUL-13 | SCK |
| D | ADDED TOLERANCES | 8-11-08 | SES |
| C | HDPE CAP MATERIAL WAS MDPE | 11-9-07 | SES |
| B | ADDED DIMENSIONS | 11-30-06 | SES |
| A | ADDED BOSS AND CORK DIAS. | 4-13-06 | SES |
| CHANGE NUMBER | CHANGE | DATE | BY |

The
CARY COMPANY
Est. 1895

| | |
|--|----------------------------|
| DETAIL NAME 32mm CR/NON-CR CLOSURE ASSEMBLY | |
| TOOL ASS'Y NAME | |
| PRODUCT Hz 32 REL C.R./NON C.R. CLOSURE | TOOL ASS'Y NUMBER |
| DRAWING NUMBER | |
| FOR CUSTOMER USE ONLY | |
| MATERIAL CAP: HDPE | TEMPER |
| BASE: LDPE | DETAIL NUMBER Hz 32 REL |