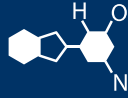


IF YOU...

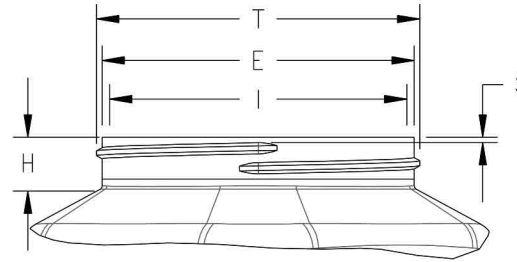
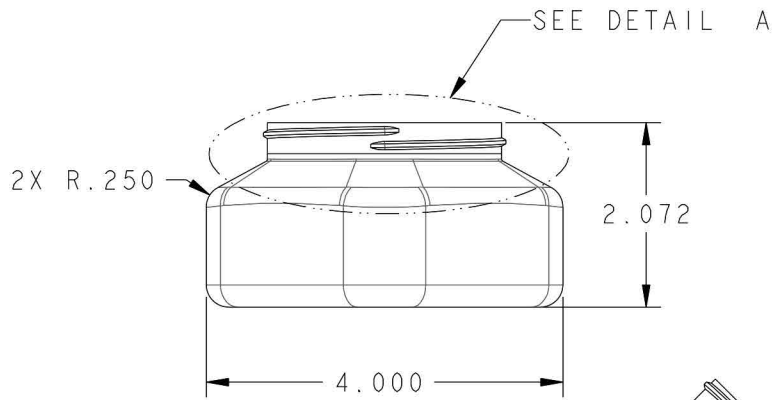


MIX IT. FILL IT. PACK IT. SHIP IT.

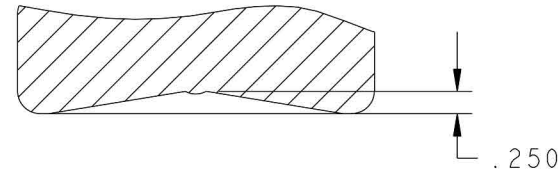
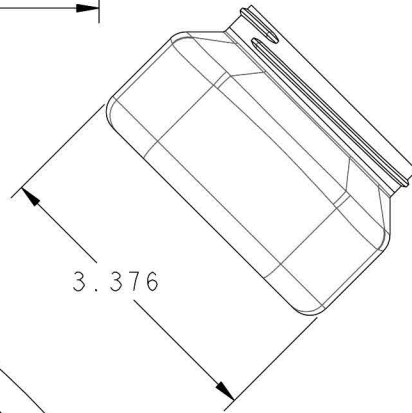
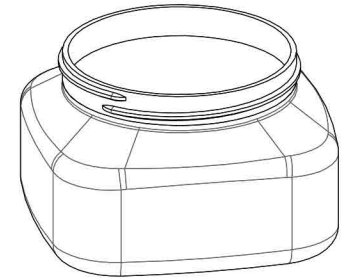
WE HAVE A PRODUCT FOR YOU



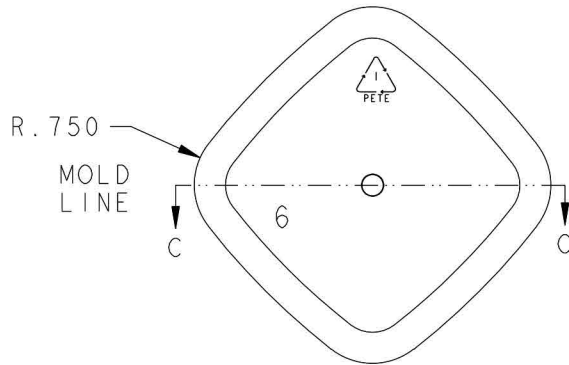
Part #	30WS08
Capacity	8 oz.
Color	Clear
Material	PET
Neck Finish	70-400
Neck Width	70mm
BPA Free	Yes
FDA Approved	Yes
Case Pack	308 ea.
Pallet Pack	4,620 ea. (15 Cases)



DETAIL A
SCALE 1/1



SECTION C-C



Neck Finish: L70SP400 SPECIAL		DISCLAIMER:					
All measurements are in inches	Min Thk	Color	Weight	Std. Pack	Revisions		The CARY COMPANY Est. 1895
	.008	All Colors	21.5 Gms±1.5	308, Stack	A	Add LW.10/03/08_sct	
	.008	All Colors Heavy Gram	23.8 Gms±1.5	308, Stack			Scale:
Neck Dimensions:					Tolerance: Where not shown Decimal ±0.050 Angular ±1		Drawn By: SCT
T = 2.718±.018					Material: PET		Date: 08-16-05
E = 2.624±.018					250ml SQUARE JAR, PET, 70-400 CT		DwgRev
H = .458±.015					Approved By: CGR		A
I = 2.247 MIN					Drawing NO:		
S = .046±.015				Overflow Capacity: 273 ml ± 7	250JRISQ70L400		