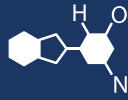


IF YOU...



MIX IT. FILL IT. PACK IT. SHIP IT.

WE HAVE A **PRODUCT** FOR YOU

Part #: 30WS1T

Metal Paint Cans

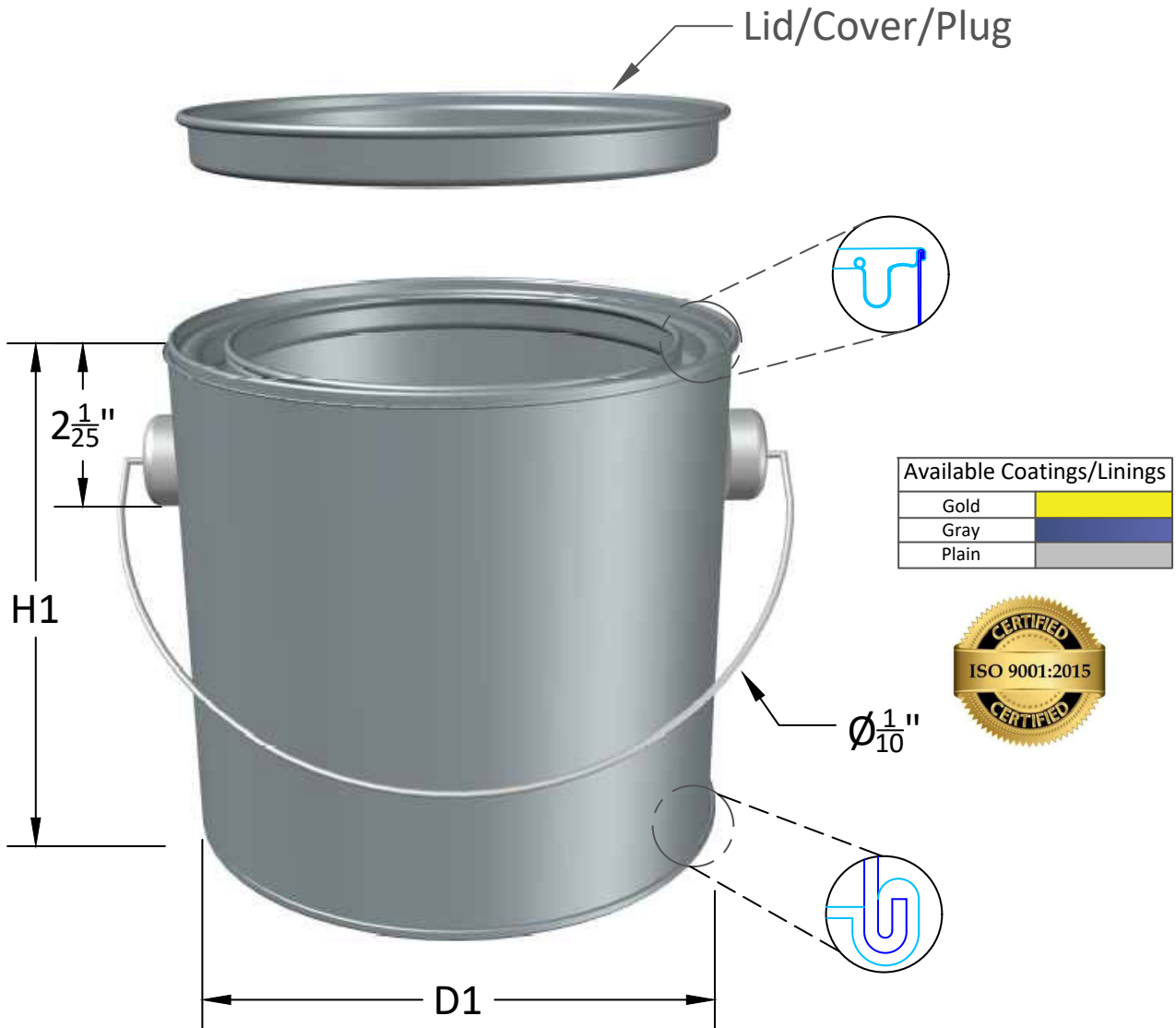
1 Gallon Metal Paint Can w/Ears, Bail and Lid, Unlined, 7.66" H



The
CARYCOMPANY
Est. 1895

1195 W. Fullerton Ave. | Addison, IL 60101 | T: 630.629.6600 | F: 630.629.3690 |

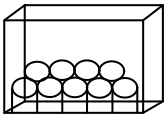
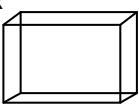

1 US GALLON(610X711) W/E



Dimensions	D1	H1
In Inches (+/- $\frac{1}{25}$ ")	6 $\frac{10}{16}$ "	7 $\frac{11}{16}$ "
In mm (+/- 1)	168.2	195.2



Packaging Information

Boxed	Bulk (On Pallets)	
36 Cans 36 Lids G.W: 14 Kg N.W: 12 Kg  Box Size: 27"X20"X24"	336 Lids/box G.W: 19 Kg N.W: 18 Kg  Box Size: 19"X19"X11.5"	360 Handles/box G.W: 4.2 Kg N.W: 4 Kg  Box Size: 9.5"X8"X7.5"