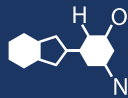


IF YOU...



MIX IT. FILL IT. PACK IT. SHIP IT.

WE HAVE A **PRODUCT** FOR YOU

Part #: 30WS1U

Metal Paint Cans

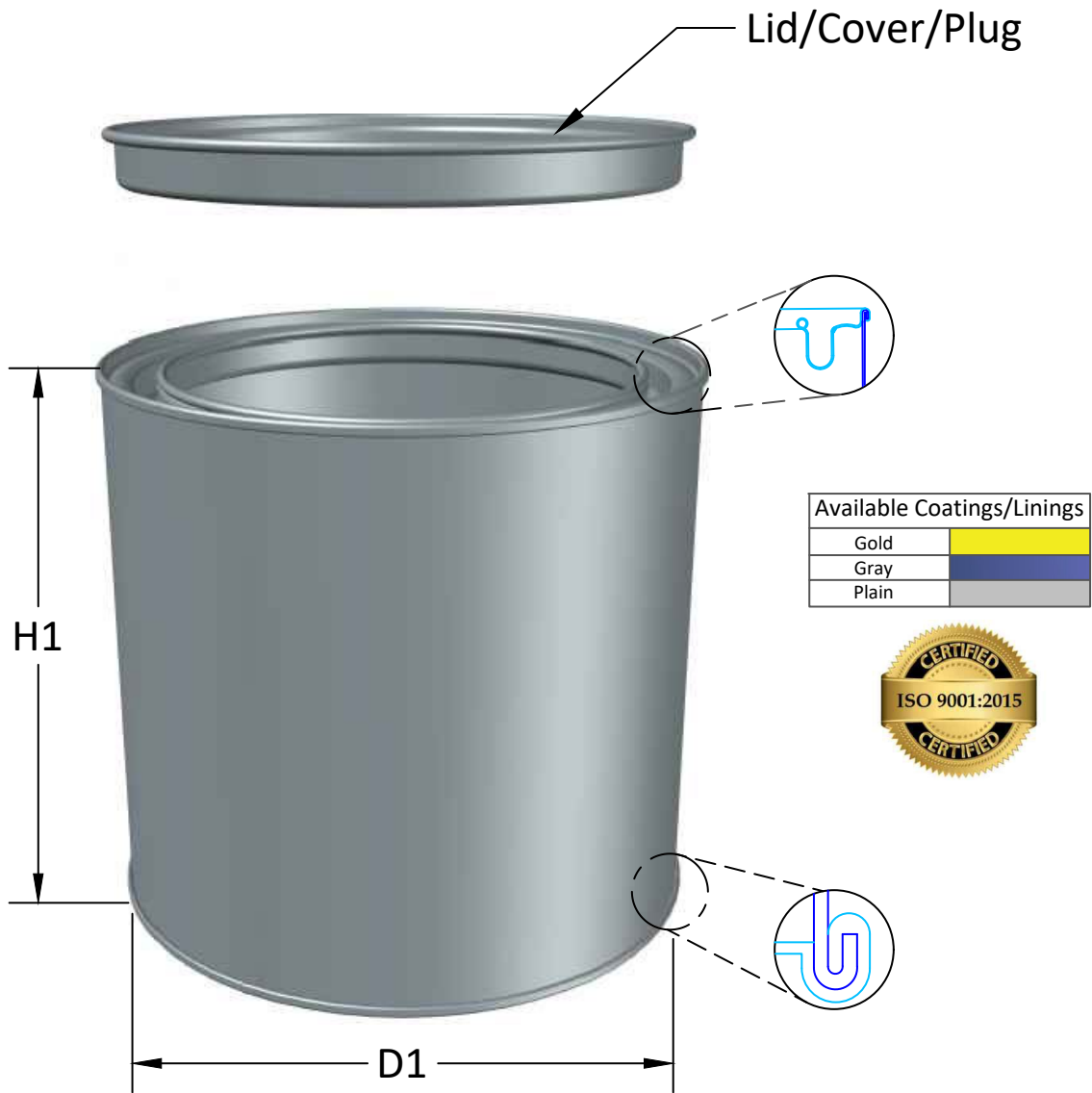
1 Gallon Metal Paint Can w/Lid, Unlined, 7.66" H



The
CARYCOMPANY
Est. 1895

1195 W. Fullerton Ave. | Addison, IL 60101 | T: 630.629.6600 | F: 630.629.3690 |

1 US Gallon(610X711) CAN



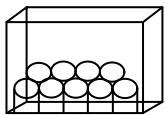
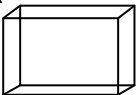
Available Coatings/Linings	
Gold	
Gray	
Plain	



Dimensions	D1	H1
In Inches (+/- 1/25")	6 ¹⁰ / ₁₆ "	7 ¹¹ / ₁₆ "
In mm (+/- 1)	168.2	195.2



Packaging Information

Boxed		Bulk (On Pallets)	
36 Cans 36 Lids G.W: 14 Kg N.W: 12 Kg  Box Size: 27"X20"X24"	336 Lids/box G.W: 19 Kg N.W: 18 Kg  Box Size: 19"X19"X11.5"	