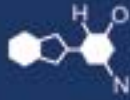


IF YOU...



MIX IT. FILL IT. PACK IT. SHIP IT.

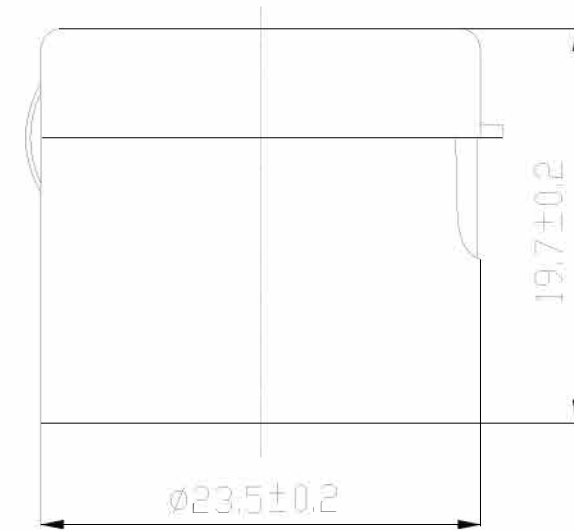
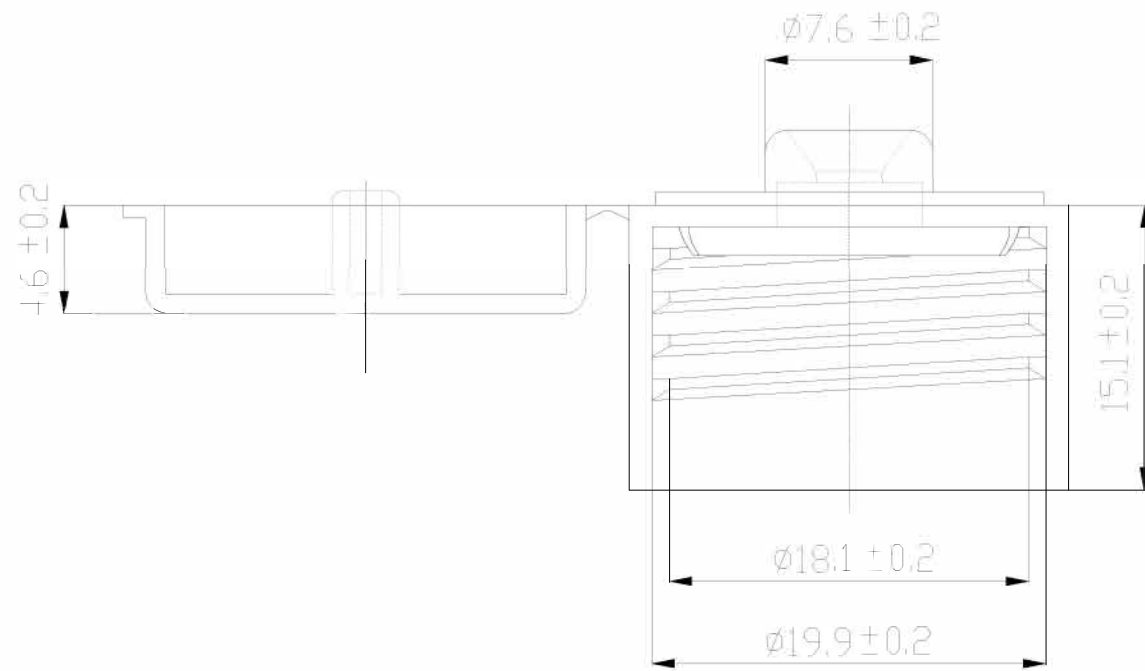
WE HAVE A **PRODUCT** FOR YOU

Part #: 30WS20



The
CARYCOMPANY
Est. 1895

1195 W. Fullerton Ave. | Addison, IL 60101 | T: 630.629.6600 | F: 630.629.3690 |



20-410 Smooth Flip Top Cap

The **CARY COMPANY** Est. 1895

DRAWING CHECKED SPECIFICALLY FOR: NECK FINISH WEIGHT CAPACITY MATERIAL SPECIAL REQUESTS	DRAWN BY:		DESC.
	SCALE	Unit: mm	DRAWING NO.
	BOTTLE MAT'L:		MOULD NO.
	DATE:		
PRODUCT DESIGN TO BE APPROVED PRIOR TO MOULD MANUFACTURE.			
APPROVED BY	NO. REV.	BY	DESCRIPTION
DATE			DATE
SPK Packaging Group Inc.			