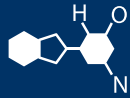


# IF YOU...



MIX IT. FILL IT. PACK IT. SHIP IT.

# WE HAVE A **PRODUCT** FOR YOU

Part # 30WS32

---

Quart (32 oz.) Natural HDPE Plastic Dairy Milk  
Jug, 38mm 38-400

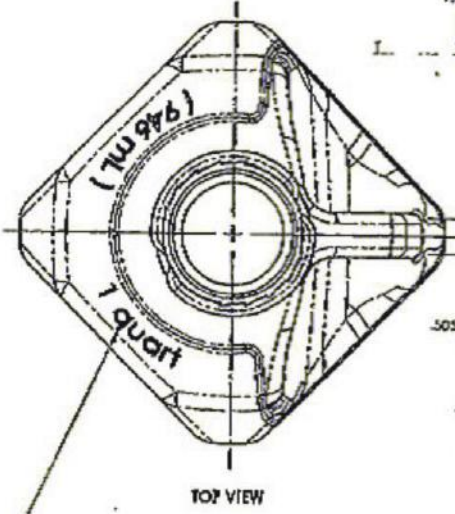
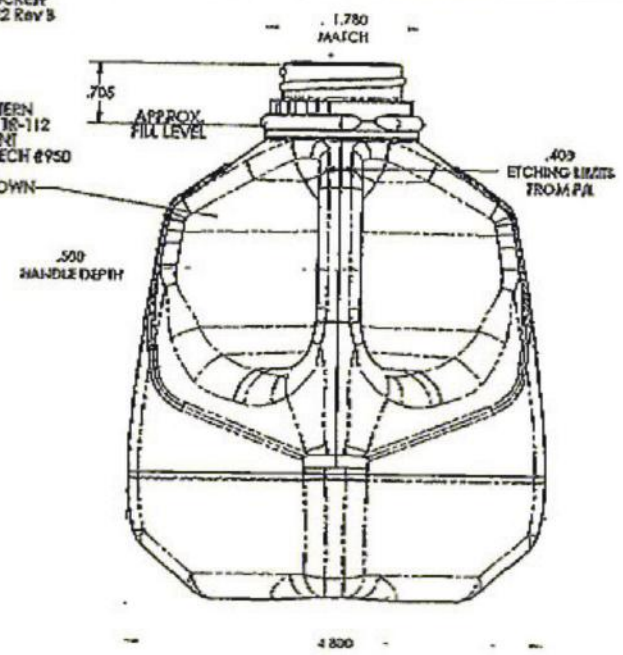
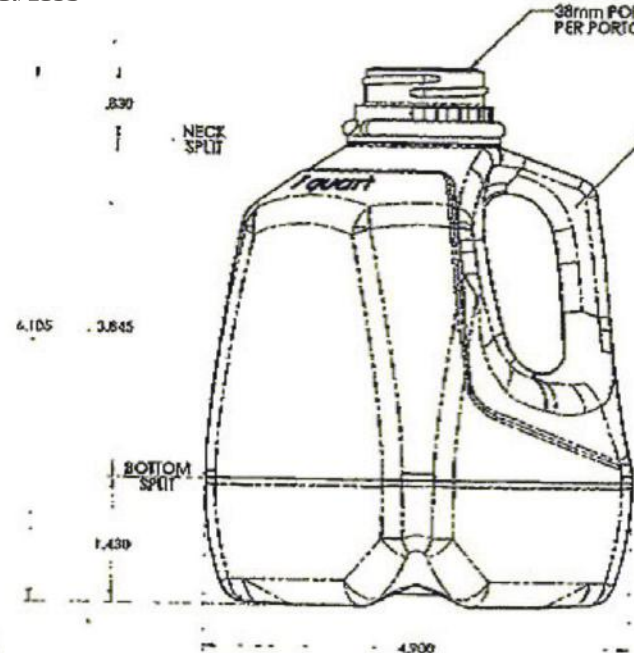
---



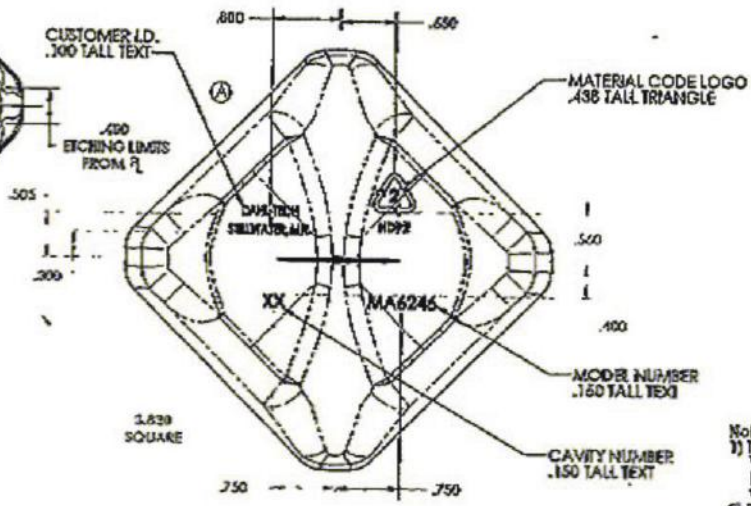
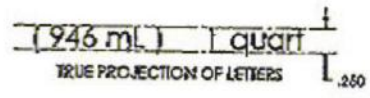
Supplied By:

The **CARY COMPANY**  
Est. 1895

Revisions				
ZONE	REV.	DESCRIPTION	DATE	APPROVED
A		APPROX. DIMENSIONS DIMENSIONS	4/20/07	AKC



.250 TALL FUTURA BOLD LETTERING  
WITH .040 FLAT FACE AND 30°  
DRAFT RAISED .012"-.014"



Notes:  
1) Tolerances Unless Specified:  
Vertical -- ±.060  
Horizontal -- ±.080  
Volumetric -- ±.080  
2) Bottles to be Checked Aged with 4°C water  
3) Estimated Burge -- .5 oz.

\*\* ALL ENGRAVING RAISED .008-.010 \*\*

PROPRIETARY AND CONFIDENTIAL

Drawn By: SPK Date: 4/9/07 Designer: PDK  
Checked: JDO Date: 4/9/07 Yrlich: 25 parts  
Customer: PaintTech Job #: 7082 # Level Capacity: 32 oz.  
Crackdown Capacity: 32.5 oz.  
Material: HDPE  
Part Wall Thickness: .012"

Customer's Molds

Description: Product Drawing  
32 oz. Daily

30WS32