

# IF YOU...



MIX IT. FILL IT. PACK IT. SHIP IT.

# WE HAVE A PRODUCT FOR YOU



|             |                       |
|-------------|-----------------------|
| Part #      | 30WS4B                |
| Capacity    | 1 quart               |
| Color       | Silver                |
| Material    | Metal                 |
| Closure     | Lid                   |
| Lining      | Epoxy Phenolic Lining |
| Dimensions  | 4-1/4" Dia. x 4-7/8"H |
| Case Pack   | 56 ea.                |
| Pallet Pack | 1,344 ea. (24 Cases)  |

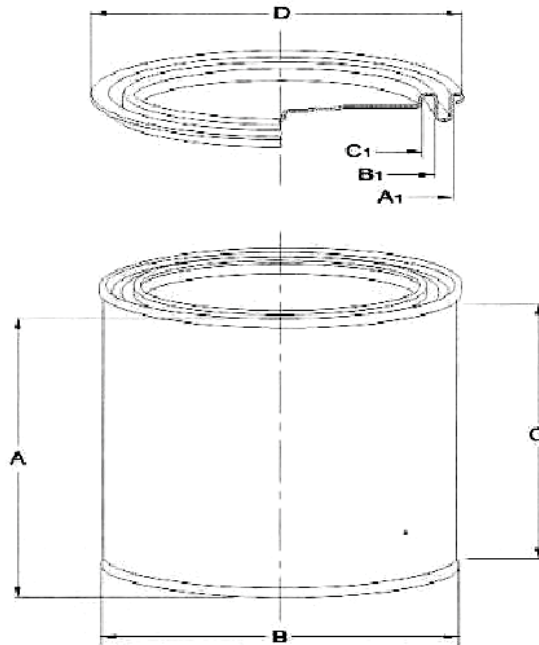




Supplied By: **The Cary Company**

Ph: 630-629-6600

www.thecarycompany.com



**TRIPLETITE TIGHT PRESSURE**

**TP CAN**

|                      | DIMENSIONS                   |             |         |        |        |
|----------------------|------------------------------|-------------|---------|--------|--------|
|                      | ITEM                         | INCH        |         | mm     |        |
| <b>A</b>             | TOTAL HEIGHT                 | 4.856       | ± 0.035 | 123.34 | ± 0.9  |
| <b>B</b>             | OUTSIDE BOTTOM DIAMETER      | 4.245       | ± 0.035 | 107.82 | ± 0.9  |
| <b>C</b>             | BETWEEN SEAMS HEIGHT         | 4.605       | MIN     | 116.97 | MIN    |
|                      | BODY THICKNESS               | 0.0077      |         | 0.20   |        |
|                      | BOTTOM THICKNESS             | 0.0077      |         | 0.20   |        |
|                      | PLUG THICKNESS               | 0.0093      |         | 0.24   |        |
|                      | RING THICKNESS               | 0.0093      |         | 0.24   |        |
| <b>D</b>             | CURL PLUG DIAMETER           | 3.932       | ± 0.017 | 99.87  | ± 0.43 |
| <b>A<sub>1</sub></b> | A FIT                        | 3.825       | ± 0.005 | 97.16  | ± 0.13 |
| <b>B<sub>1</sub></b> | B FIT                        | 3.532       | ± 0.005 | 89.71  | ± 0.13 |
| <b>D<sub>1</sub></b> | C FIT                        | 3.315       | ± 0.015 | 84.20  | ± 0.13 |
|                      | INSIDE VARNISH               | PLAIN       |         |        |        |
|                      | OUTSIDE VARNISH              | PLAIN/LITHO |         |        |        |
|                      | INSIDE STREAP SEAM           | PLAIN       |         |        |        |
|                      | CAN WEIGHT (lb) WITHOUT PLUG | 0.221 lb    |         |        |        |