

IF YOU...



MIX IT. FILL IT. PACK IT. SHIP IT.

WE HAVE A PRODUCT FOR YOU

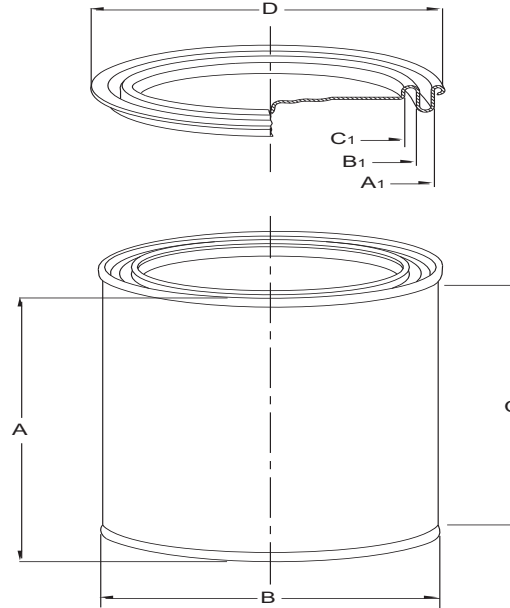


Part #	30WS8U
Capacity	1 pt.
Color	Silver
Material	Metal
Closure	Lid
Lining	Rust Inhibitor Enamel
Dimensions	3-7/16" Dia. x 3-15/16"H
Case Pack	50 ea.
Pallet Pack	2,450 ea. (49 Cases)





Supplied By: **The Cary Company**
 Ph: 630-629-6600
 www.thecarycompany.com



307X315 - TTP CAN

		DIMENSIONS			
	ITEM	PULG		mm	
A	TOTAL HEIGHT	3.925	± 0.035	99.70	± 0.9
B	OUTSIDE BOTTOM DIAMETER	3.394	± 0.035	86.21	± 0.9
C	BETWEEN SEAMS HEIGHT	3.645	MIN	92.58	MIN
	BODY THICKNESS	0.0082		0.21	
	BOTTOM THICKNESS	0.0082		0.21	
	PLUG THICKNESS	0.0093		0.24	
	RING THICKNESS	0.0093		0.24	
D	CURL PLUG DIAMETER	3.122	± 0.017	79.30	± 0.43
A₁	A FIT	2.990	± 0.005	75.95	± 0.13
B₁	B FIT	2.767	± 0.005	70.28	± 0.13
C₁	C FIT	2.587	± 0.015	65.71	± 0.13
	INSIDE VARNISH	GOLD			
	OUTSIDE VARNISH	PLAIN			
	INSIDE STREAP SEAM	CLEAR			
	CAN WEIGHT (g) WOUT/ PLUG	71.0			