

# IF YOU...



MIX IT. FILL IT. PACK IT. SHIP IT.

# WE HAVE A **PRODUCT** FOR YOU

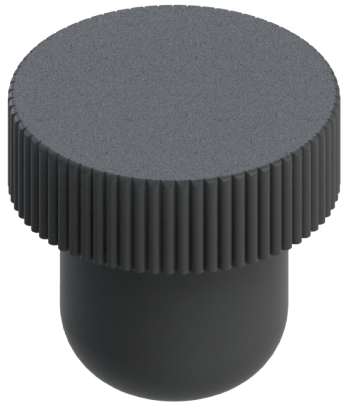
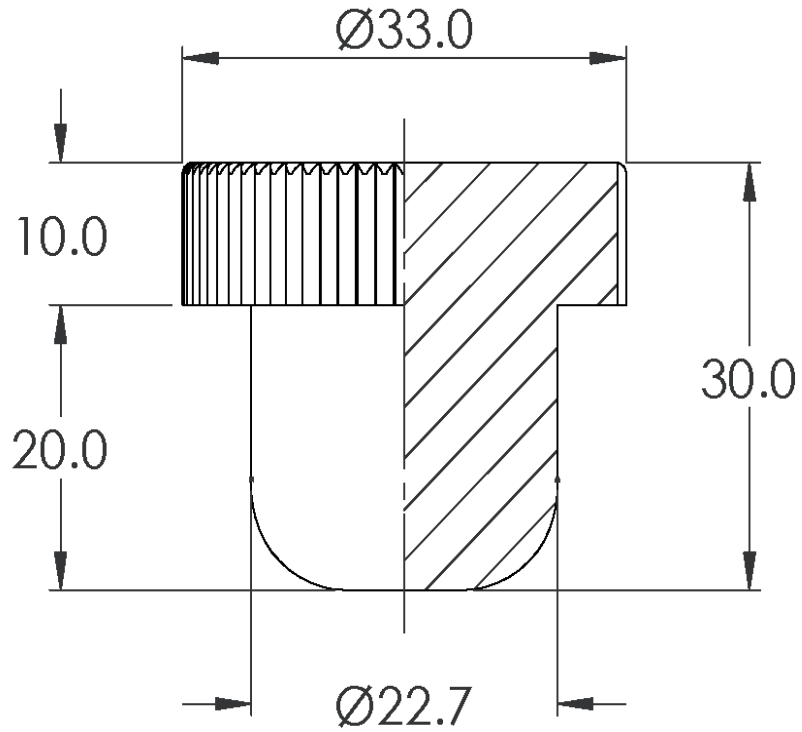
Part #30WSBC

Bar Top Closures

Synthetic Bar Top Cork, 33 x 22.5 mm Shank



The  
**CARY**COMPANY  
Est. 1895



Clousure drawing is provided  
for illustrative purposes only.

BT SYN Monobloc Knurled 22.7x33mm CH Black

HEIGHT: 30.0mm

SHANK DIAMETER: 22.7mm

PRESSURE RATING: Not rated for pressure