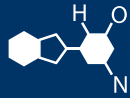


# IF YOU...



MIX IT. FILL IT. PACK IT. SHIP IT.

# WE HAVE A **PRODUCT** FOR YOU

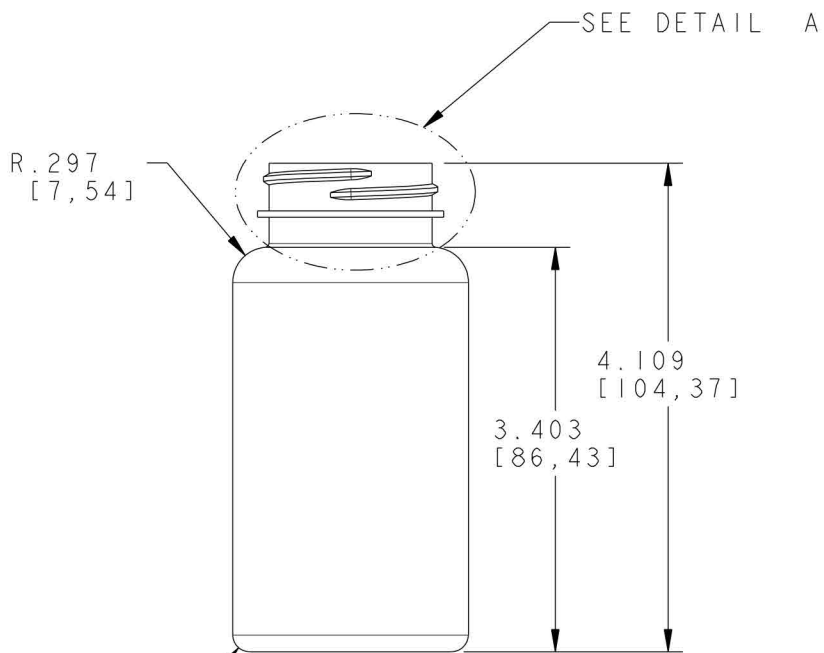
Part # 30WW15

---

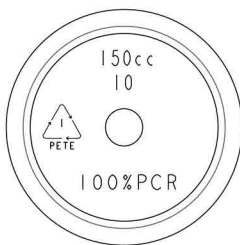
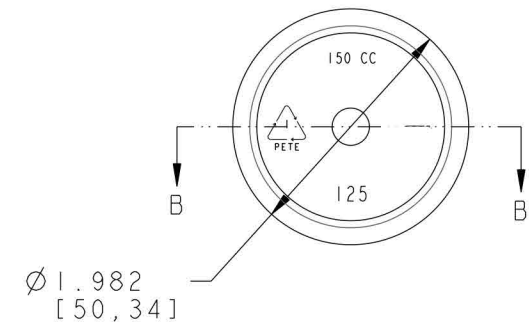
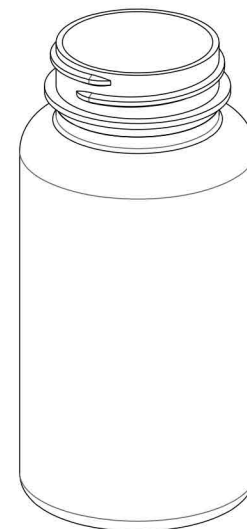
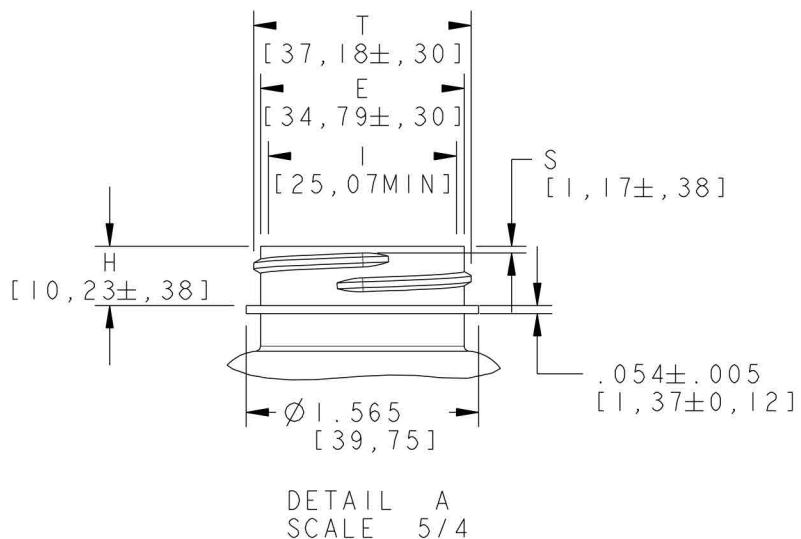
5 oz. (150 cc) White PET Plastic Packer Bottle,  
38mm 38-400

---

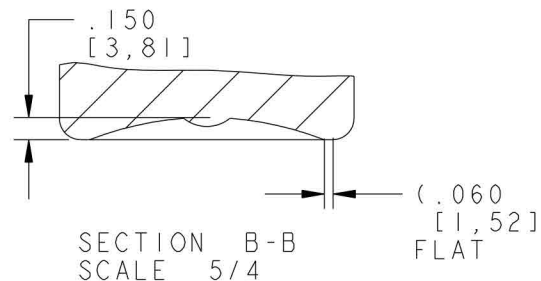




R.141 [3,58]



ALT BOTTOM PLUG CONFIG



Neck Finish: L38SP400							
All measurements are in inches, [Metric]	Min Thk	Color	Weight	Std. Pack	Revisions		
	.012 [ ,30]	All Colors	21 Gms±3	410, Bulk	L Pack was 552, Stack, 5/25/11, sct	The <b>CARY COMPANY</b> Est. 1895	
.012 [ ,30]	All Colors Heavy Gram 200 P	24 Gms±3	410, Bulk	M Wt was ±1.9/16/13, sct	Scale: 1/1   Drawn By: SCT   Date: 07-25-00		
Neck Dimensions:				Tolerance: Where not shown Decimal ±0.05 [1,27] Angular ±1°		150cc, STRAIGHT SIDED, PET, 38-400 CT <b>150S38PET</b>	
T = 1.464±.012 E = 1.370±.012 H = .403±.015 I = 0.987 MIN S = .046±.015				Material: PET		Approved By: SJ   Drawing NO: 150PS1XX38L400	
		Overflow Capacity: 170 ml ± 6				DwgRev: M	