

IF YOU...



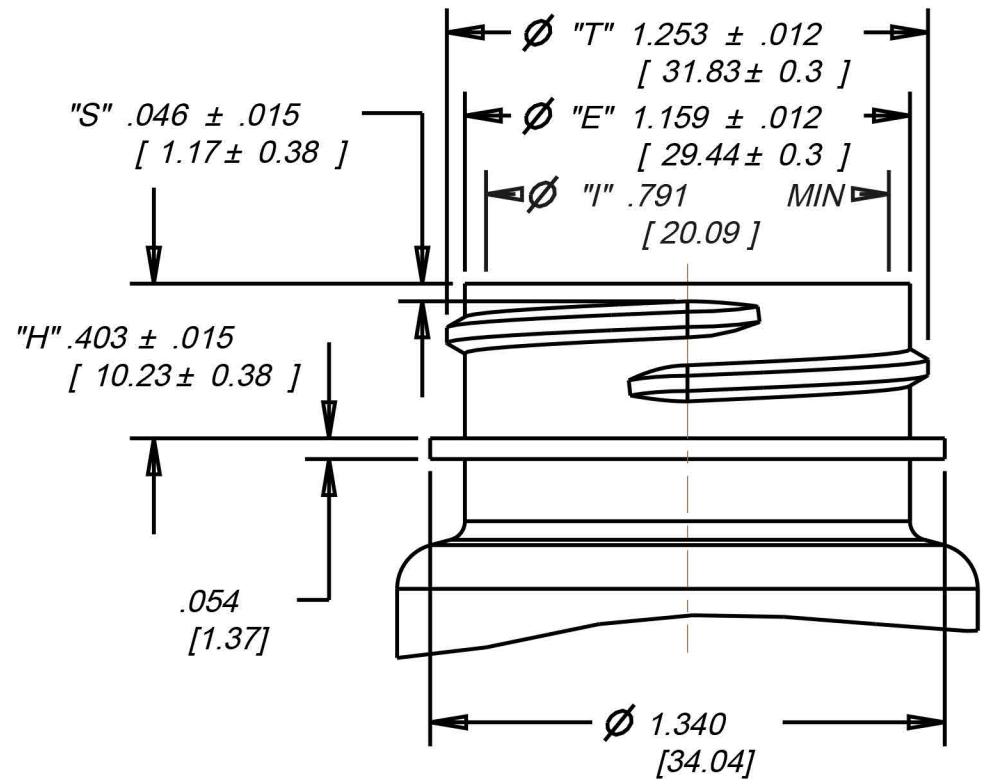
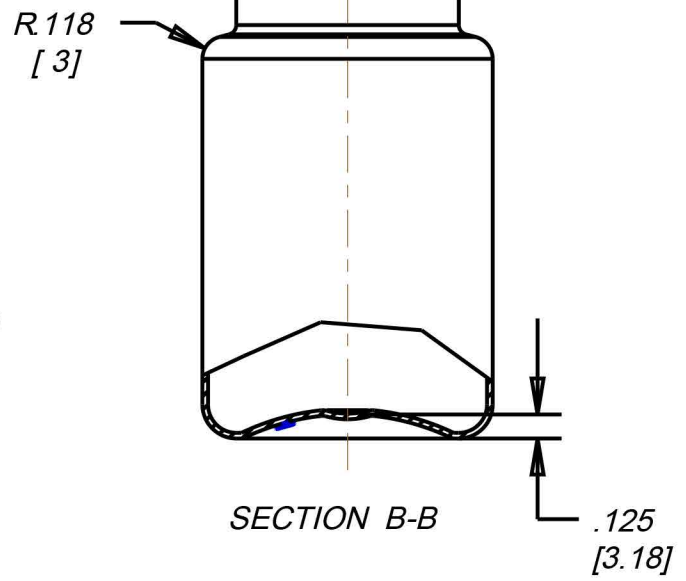
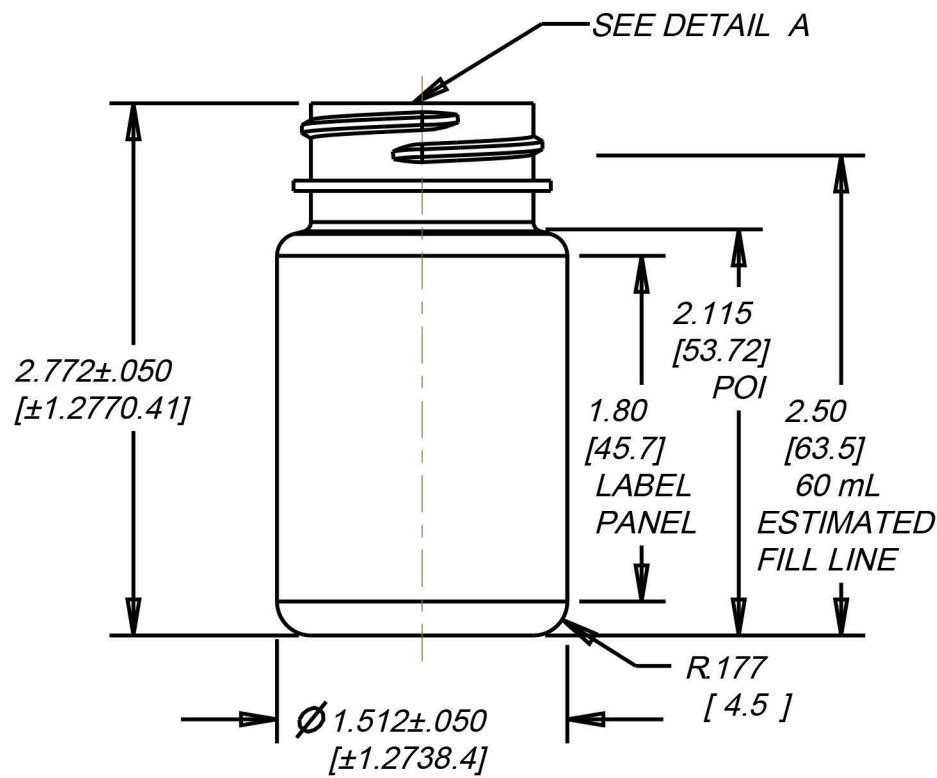
MIX IT. FILL IT. PACK IT. SHIP IT.

WE HAVE A **PRODUCT** FOR YOU

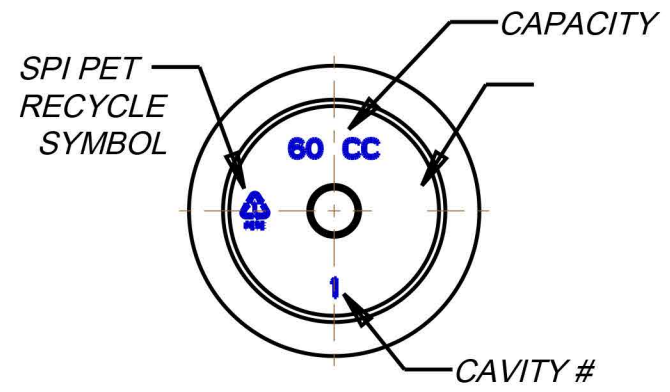
Part # 30WW60

2 oz. (60 cc) White PET Plastic Packer Bottle,
33mm 33-400





DETAIL A
L33SP400 FINISH
6 TPI, 1 TURN
"I" DEPTH .250" MIN
SCALE 2.000



NPD # 1069						
All measurements are in inches, [mm]	Color	Min. Thk (in.)	Weight (g)	Overflow (mL)	Revisions	
	All Colors	.008	11.0 ± 1	64 ± 3.5		
Tolerance: Where not shown	NECK FINISH	L33SP400			The CARY COMPANY Est. 1895	
	MATERIAL:	PET			Scale: 1.000	Drawn By: RAB
Decimal ± 0.05 [1.27] Angular ± 1°					60 CC STRAIGHT SIDED PACKER	
				Approved By:	Drawing NO:	
				P0060PKSS033A		