

IF YOU...



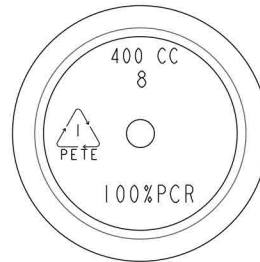
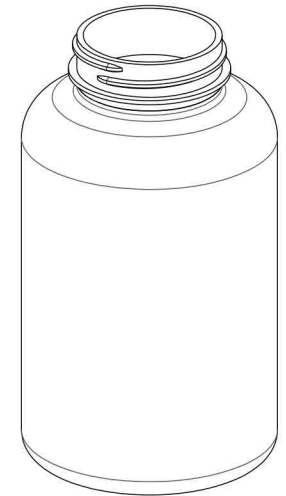
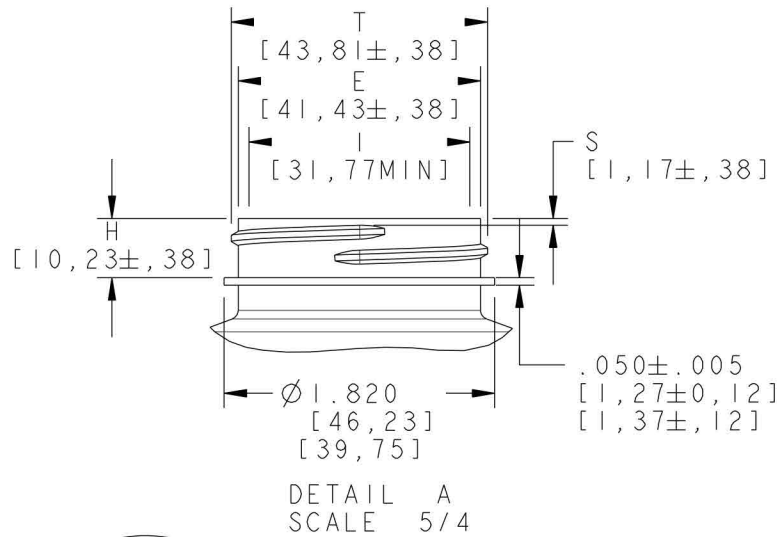
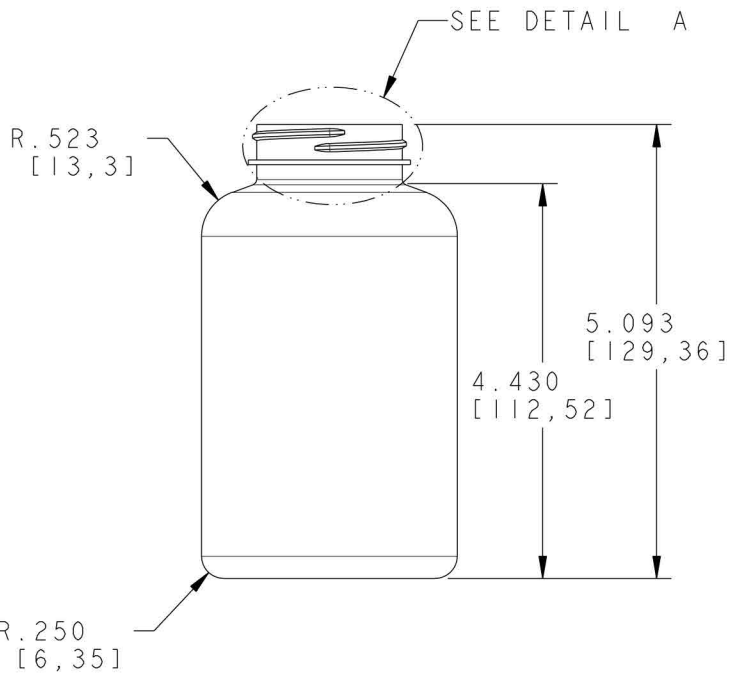
MIX IT. FILL IT. PACK IT. SHIP IT.

WE HAVE A **PRODUCT** FOR YOU

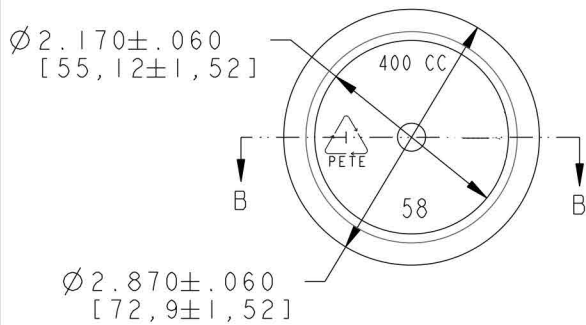
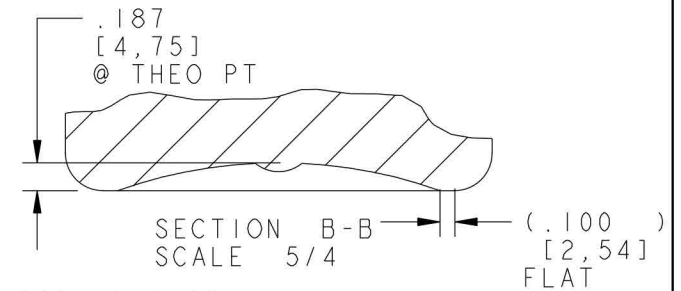
Part # 30WWW4

13.5 oz. (400 cc) White PET Plastic Packer
Bottle, 45mm 45-400





ALT BOTTOM PLUG CONFIG



- ⚠ Overflow Capacity: 37.0g = 446 ml ± 11
- ⚠ Overflow Capacity: 45.0g = 439 ml ± 11
- ⚠ Overflow Capacity: 51.5g = 436 ml ± 11

Neck Finish: L45SP400							
All measurements are in inches, [Metric]	Min Thk	Color	Weight	Std. Pack	Revisions		
	.012[.30]	All Colors	37 Gms±3	180, Stack	L Add Alt Config. 11/4/10, sct	The CARY COMPANY Est. 1895	
	.015[.38]	All Colors Heavy Gram	45 Gms±3	180, Stack	M GmWt tol was ±1.11/13/13, sct		
	.015[.38]	All Colors Heavy Gram	51.5 Gms±3	180, Stack		Scale: 3/4 Drawn By: SCT Date: 07-25-00	
Neck Dimensions:		Tolerance: Where not shown Decimal ±0.05 [1, 27] Angular ±1°		400 CC, STRAIGHT SIDED, PET, 45-400 CT		DwgRev: M	
T = 1.725±.015 E = 1.631±.015 H = .403±.015 I = 1.251 MIN S = .046±.015		Material: PET		Approved By: SJ		Drawing NO: 400PS1XX45L400	
Overflow Capacity: See FlagNote 1							