

# IF YOU...



MIX IT. FILL IT. PACK IT. SHIP IT.

# WE HAVE A **PRODUCT** FOR YOU

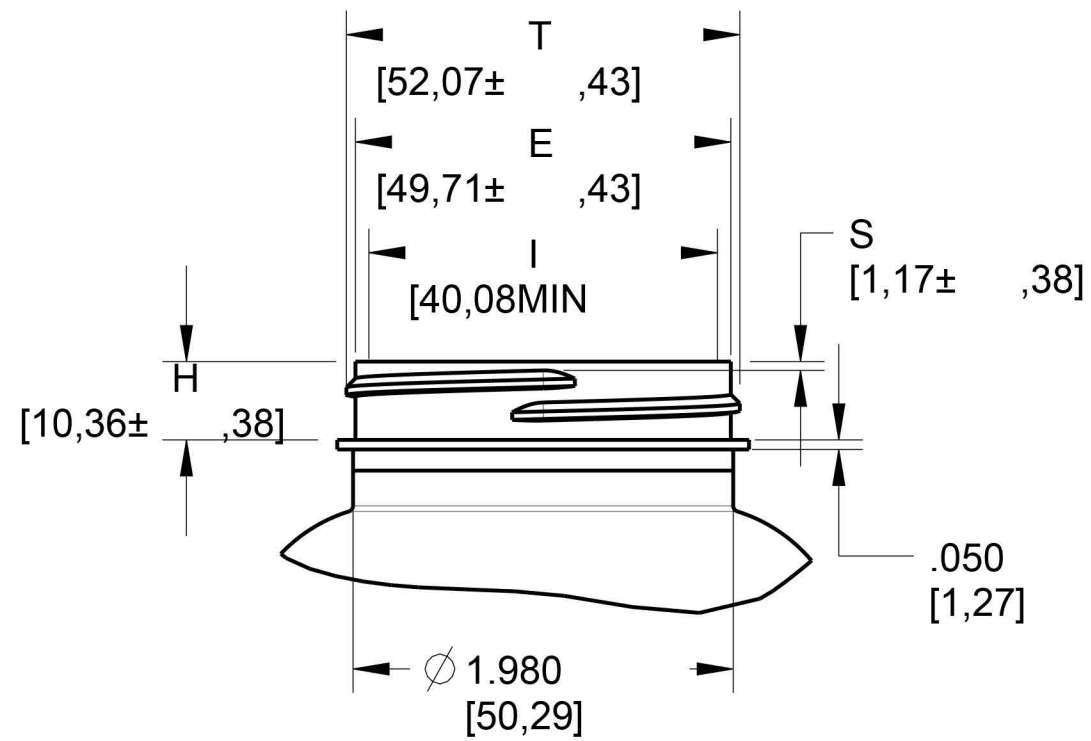
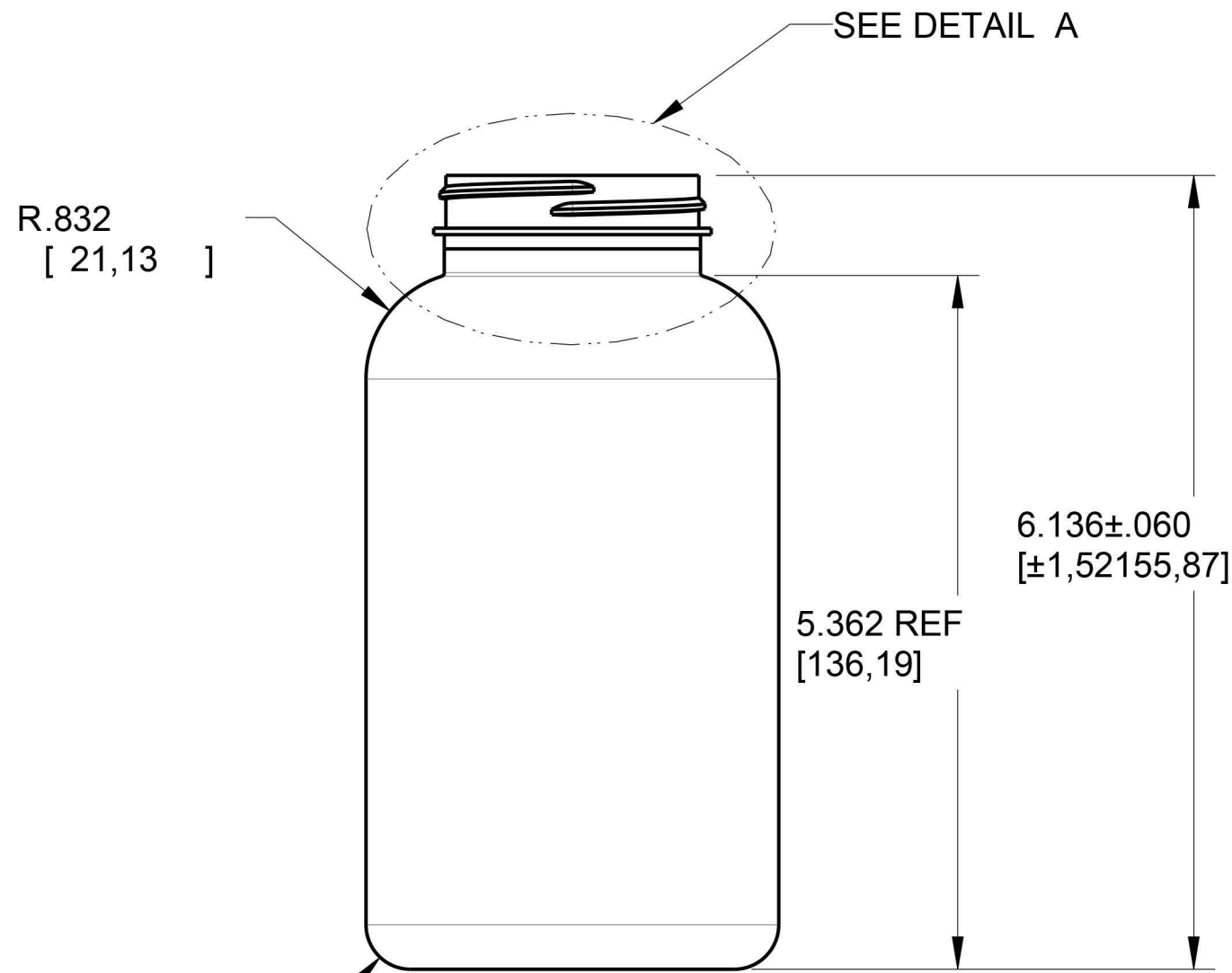
Part # 30WWW6

---

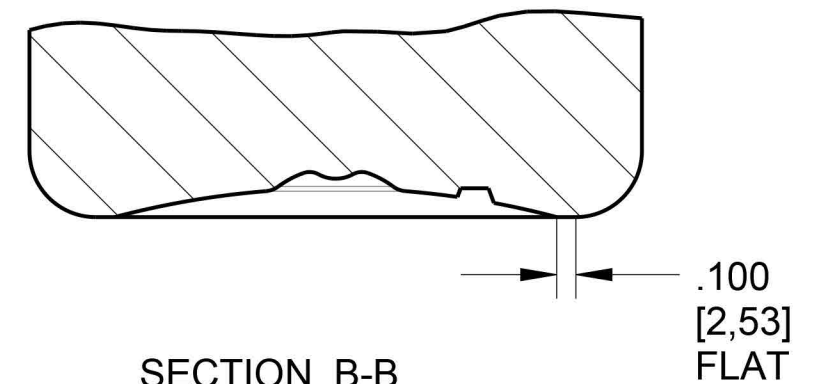
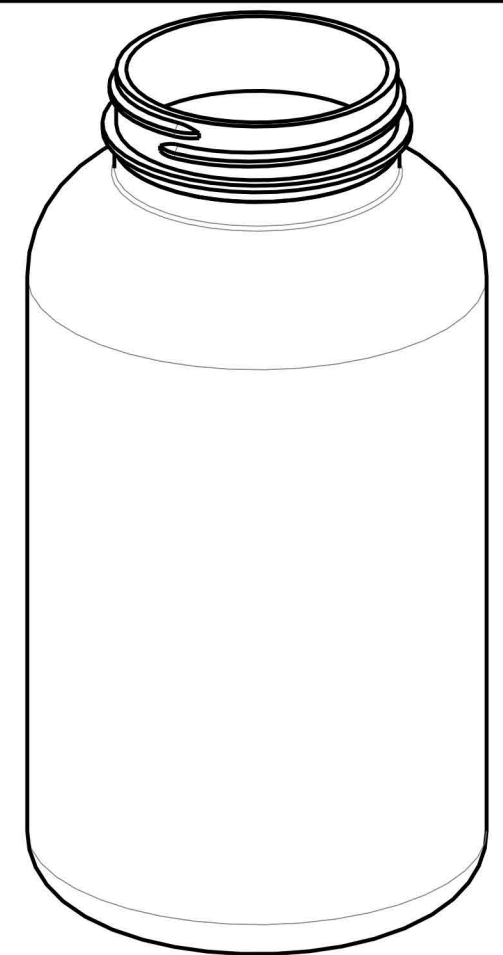
21 oz. (625 cc) White PET Plastic Packer Bottle,  
53mm 53-400

---



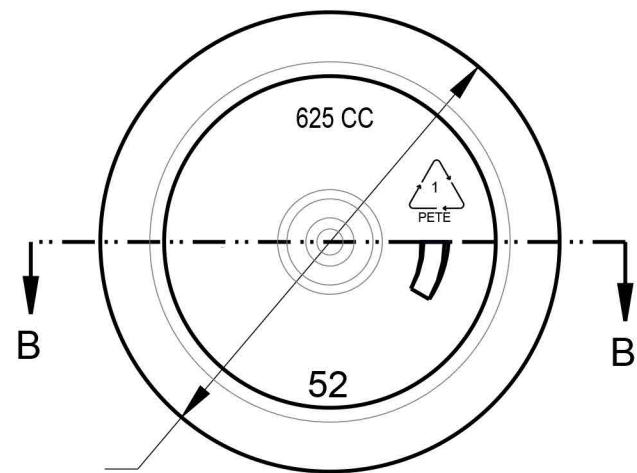


DETAIL A  
SCALE 1/1



SECTION B-B  
SCALE 1/1

R.344  
[ 8,74 ]



∅ 3.190 ± .060  
[ 81,03 ± 1,52 ]

|  |           |            |            |                                |                         |   |   |
|--|-----------|------------|------------|--------------------------------|-------------------------|---|---|
| Neck Finish: M53SP400                    |           |            |            |                                |                         |   |   |
| All measurements are in inches, [Metric] | Min Thk   | Color      | Weight     | Std. Pack                      | Revisions               |   | The<br><b>CARYCOMPANY</b><br><small>Est. 1895</small> |
|  | .015[.38] | All Colors | 54 Gms ± 3 | 140, Stack                     | A                       | Pack was 119.11/04/04.sct                 |   |
|  | .015[.38] | All Colors | 65 Gms ± 3 | 140, Stack                     | B                       | Was +/-1.09-12-05.sct                     |   |
|  |           |            |            | C                              | Add Metrics.5/20/10.sct |   |   |
| Neck Dimensions:                         |           |            |            | Tolerance: Where not shown     |                         | Scale: 3/4                                | Drawn By: SCT   |
| T = 2.050 ± .017                         |           |            |            | Decimal ± 0.05 [1,27]          |                         | Date: 11-19-02                            | DwgRev  |
| E = 1.957 ± .017                         |           |            |            | Angular ± 1°                   |                         | 625 CC, STRAIGHT SIDED, PET,<br>53-400 CT | D   |
| H = .408 ± .015                          |           |            |            | Material: PET                  |                         | Approved By: SJ                           | Drawing NO:   |
| I = 1.578 MIN                            |           |            |            | Overflow Capacity: 674 ml ± 13 |                         | 625S53PET                                 |   |
| S = .046 ± .015                          |           |            |            |                                |                         | 625PS1XX53M400                            |   |