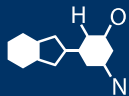
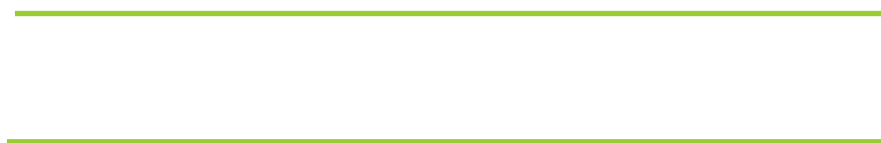


IF YOU...



MIX IT. FILL IT. PACK IT. SHIP IT.

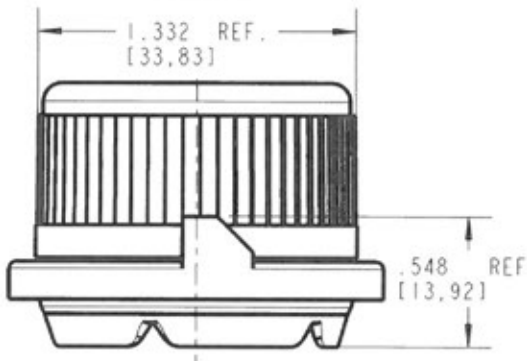
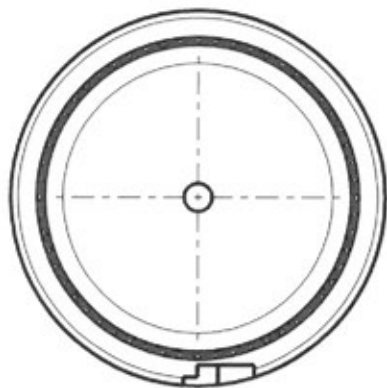
WE HAVE A **PRODUCT** FOR YOU



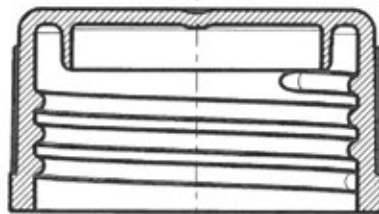
Part #	30WZ14
Neck Width	32mm
Color	White
Material	HDPE
Case Pack	1,800 ea.
Pallet Pack	32,400 ea. (18 Cases)



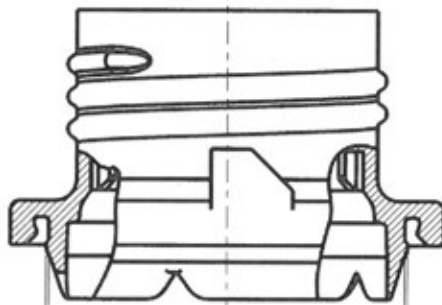
NON CHILD RESISTANT VERSION



CHILD RESISTANT VERSION

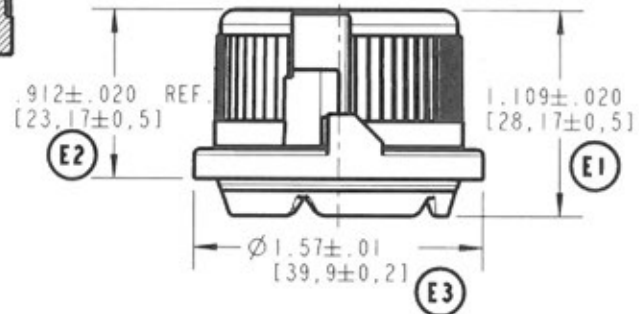
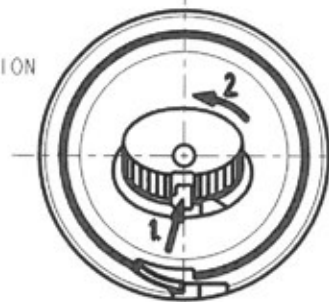


CAP



BASE

1.290 [32.77]
1.310±.010 [33.27±0.25]



PRO/E

CUSTOMER DRAWING

DRAWING UNITS = in[mm]

BREAK ALL SHARP EDGES WITH 1/64" RADIUS, UNLESS OTHERWISE SPECIFIED

DATE
28-MAR-03

DRAWN BY
RJ

THE FOLLOWING TOLERANCES APPLY UNLESS OTHERWISE SPECIFIED:

SCALE

CHECKED
TPK

ANGLES

±1/4°

HUNDREDTH

±.010

THOUSANDTH

±.005

NTS

APPROVED

E	E1: 1.109±.020 WAS 1.121±.025 E2: .912±.02 WAS .92; E3: ADDED TOLERANCES	22-JUL-13	SCK
D	ADDED TOLERANCES	8-11-08	SES
C	HDPE CAP MATERIAL WAS MDPE	11-9-07	SES
B	ADDED DIMENSIONS	11-30-06	SES
A	ADDED BOSS AND CORK DIAS.	4-13-06	SES
CHANGE NUMBER	CHANGE	DATE	BY

The
CARY COMPANY
Est. 1895

DETAIL NAME 32mm CR/NON-CR CLOSURE ASSEMBLY		TOOL ASS'Y NUMBER	
TOOL ASS'Y NAME		PRODUCT Hz 32 REL C.R./NON C.R. CLOSURE	
DRAWING NUMBER		DRAWING NUMBER	
FOR CUSTOMER USE ONLY		DETAIL NUMBER	
MATERIAL CAP: HDPE BASE: LDPE		TEMPER	
		Hz 32 REL	