

IF YOU...



MIX IT. FILL IT. PACK IT. SHIP IT.

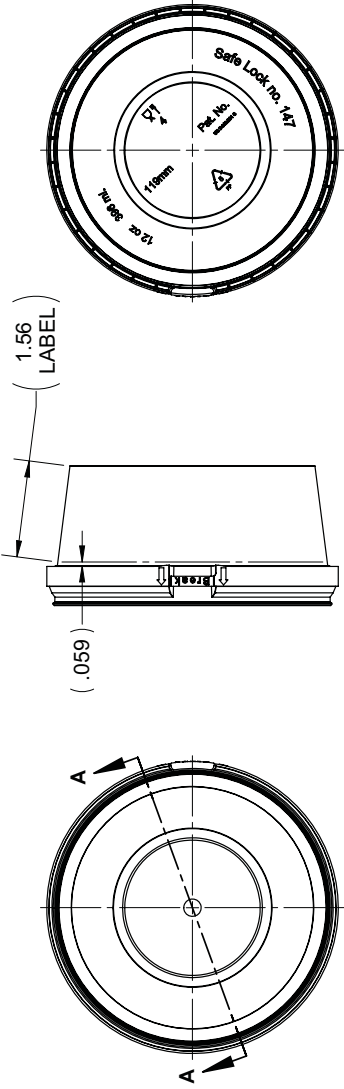
WE HAVE A PRODUCT FOR YOU



Part #	34BS12
Capacity	12 oz.
Color	White
Neck Finish	L406
Material	PP
Closure	Safe Lock Lid
Label Panel Dimensions	1.3" x 13.05" less .25" Gap In
Dimensions	4.7"Dia. x 2.3"H
Case Pack	500 ea.
Pallet Pack	4,000 ea. (8 Cases)

TOLERANCES & NOMINALS WILL BE DETERMINED AFTER C,Q,V PROCESS STUDY

Supplied By: **The Cary Company**
 Ph: 630-629-6600
 www.thecarycompany.com

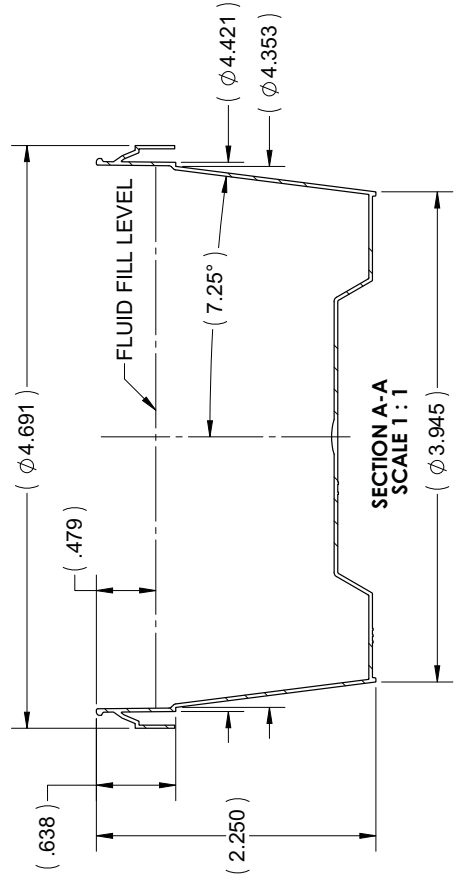
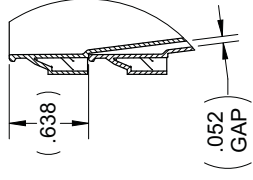


TOP VIEW

SIDE VIEW

BOTTOM VIEW

NESTING VIEW



PART DATA	
RESIN FAMILY	PP
RESIN DENSITY (GRAMS/CUBIC IN)	14.9
ACTUAL WEIGHT ±0.0 (GRAMS)	0.0
ESTIMATED WEIGHT (CAD MODEL GRAMS)	22.2
VOLUME (CUBIC IN)	28.8
OVERFLOW CAPACITY(OZ)	16.0
OVERFLOW CAPACITY(CC)	472.6
FILL LEVEL CAPACITY (OZ)	12.0
FILL LEVEL CAPACITY (CC)	354.9

ARE BASIC DIMENSIONS	→ .XXX →	ARE REFERENCE DIMENSIONS	(.XXX)	ARE INSPECTION DIMENSIONS	→ .XXX →
THIS DRAWING IS NOT A CONTROLLED DOCUMENT IF PRINTED OR COPIED FROM THE APPROVED LOCATION					
THIS IS A PRELIMINARY PRODUCT DRAWING. SPECIFICATIONS ARE SUBJECT TO CHANGE (IN DEVELOPMENT).					

CONFIDENTIAL

PRODUCT NAME:	T40612SLCP	DRAWING TYPE:	CUSTOMER
DESCRIPTION:	12 oz IML TAMPER EVIDENT CONTAINER	PROJECT #:	105212
FILE NAME:	CP-105212-PRT1	DRAWING VERSION:	X.X
CREATED BY:	DK	CREATION DATE:	06/01/10
		SHEET	1 of 1
		SCALE:	1:2
		SHEET SIZE	B