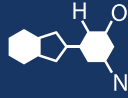


IF YOU...



MIX IT. FILL IT. PACK IT. SHIP IT.

WE HAVE A **PRODUCT** FOR YOU

Part #: 34BS20

Tamper Evident Containers

20 oz. White Plastic Round Tamper Evident
Container, 119mm

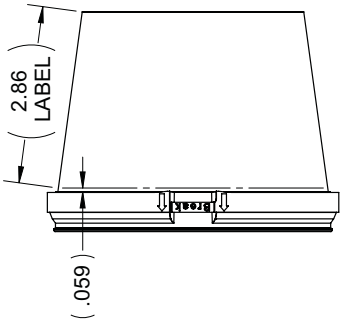
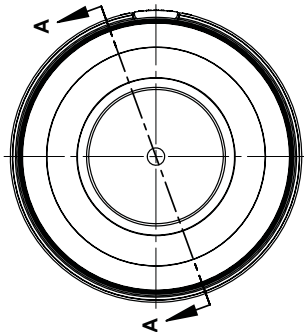


The
CARYCOMPANY
Est. 1895

1195 W. Fullerton Ave. | Addison, IL 60101 | T: 630.629.6600 | F: 630.629.3690 |

TOLERANCES & NOMINALS WILL BE DETERMINED AFTER C,Q,V PROCESS STUDY


 Supplied By: **The Cary Company**
 Ph: 630-629-6600
 www.thecarycompany.com

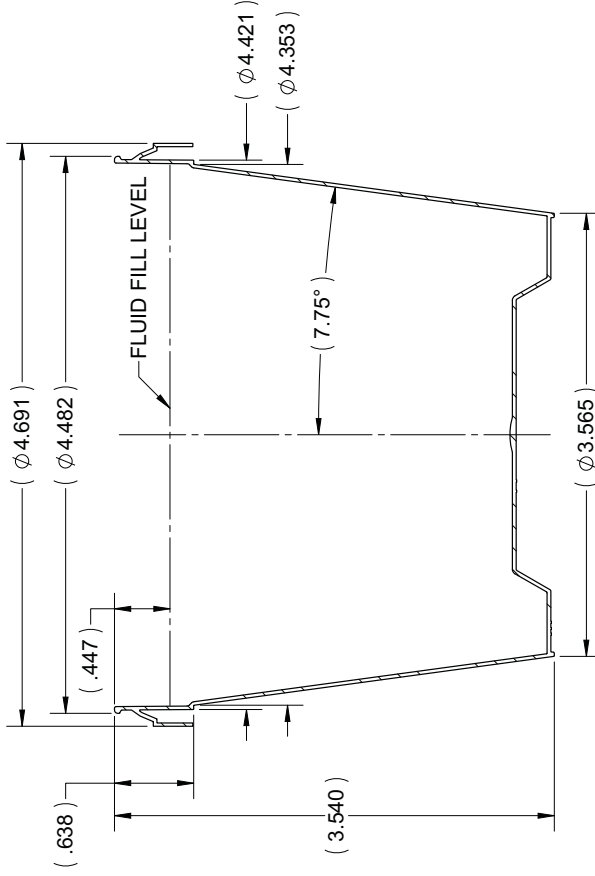
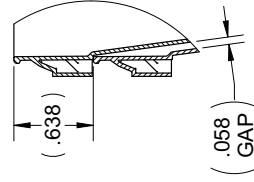


TOP VIEW

SIDE VIEW

BOTTOM VIEW

NESTING VIEW



SECTION A-A
SCALE 1:1

PART DATA	
RESIN FAMILY	PP
RESIN DENSITY (GRAMS/CUBIC IN)	14.9
ACTUAL WEIGHT ±0.0 (GRAMS)	27.6
ESTIMATED WEIGHT (CAD MODEL GRAMS)	27.5
VOLUME (CUBIC IN)	42.6
OVERFLOW CAPACITY(OZ)	23.6
OVERFLOW CAPACITY(CC)	697.9
FILL LEVEL CAPACITY (OZ)	19.9
FILL LEVEL CAPACITY (CC)	587.9

.XXX ARE BASIC DIMENSIONS
 .XXX ARE REFERENCE DIMENSIONS
 .XXX ARE INSPECTION DIMENSIONS
 THIS DRAWING IS NOT A CONTROLLED DOCUMENT IF PRINTED OR COPIED FROM THE APPROVED LOCATION
 THIS IS A PRELIMINARY PRODUCT DRAWING. SPECIFICATIONS ARE SUBJECT TO CHANGE (IN DEVELOPMENT).

CONFIDENTIAL

PRODUCT NAME:	T40620SLCP	DRAWING TYPE:	CUSTOMER
DESCRIPTION:	20 oz IML TAMPER EVIDENT CONTAINER	PROJECT #:	105256
FILE NAME:	CP-105256-PRT1	SHEET	1 of 1
CREATED BY:	DK	CREATION DATE:	06/16/10
		DRAWING VERSION:	X-X
		SCALE:	1:2
		SHEET SIZE:	B