

# IF YOU...



MIX IT. FILL IT. PACK IT. SHIP IT.

# WE HAVE A PRODUCT FOR YOU

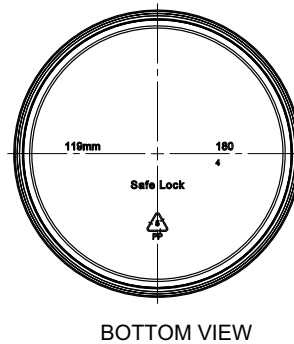
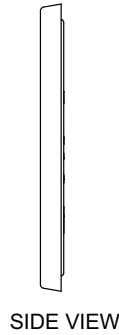
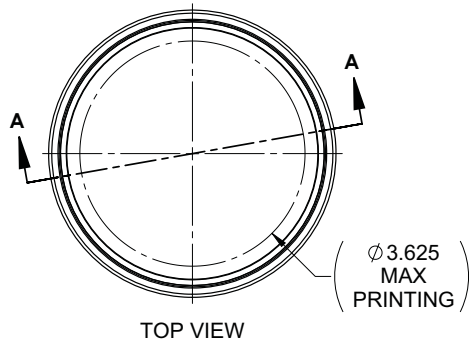


Part #	34BSFC
Neck Finish	L406
Color	Clear
Material	PP
Case Pack	1,500 ea
Pallet Pack	24,000 ea. (16 Cases)

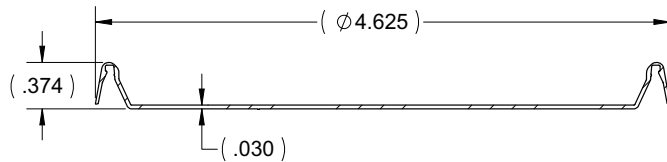
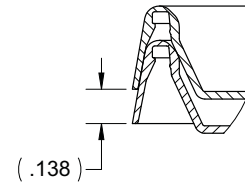
# TOLERANCES & NOMINALS WILL BE DETERMINED AFTER C,Q,V PROCESS STUDY



Supplied By: **The Cary Company**  
 Ph: 630-629-6600  
[www.thecarycompany.com](http://www.thecarycompany.com)



NESTING VIEW



SECTION A-A  
SCALE 1 : 1

PART DATA	
RESIN FAMILY	PP
RESIN DENSITY (GRAMS/CUBIC IN)	14.9
ACTUAL WEIGHT ±X.X (GRAMS)	0
ESTIMATED WEIGHT (CAD MODEL GRAMS)	10.2

← .XXX → ARE BASIC DIMENSIONS	← (.XXX) → ARE REFERENCE DIMENSIONS	← .XXX → ARE INSPECTION DIMENSIONS
----------------------------------	--	---------------------------------------

THIS DRAWING IS NOT A CONTROLLED DOCUMENT IF PRINTED OR COPIED FROM THE APPROVED LOCATION

THIS IS A PRELIMINARY PRODUCT DRAWING, SPECIFICATIONS ARE SUBJECT TO CHANGE (IN DEVELOPMENT).

**CONFIDENTIAL**

PRODUCT NAME: <b>L406SLCP</b>	DRAWING TYPE: <b>CUSTOMER</b>				
DESCRIPTION: <b>SAFE LOCK COMMON LID</b>					
FILE NAME: CP-105163-PRT1	PROJECT #: 105163				
CREATED BY: DK	CREATION DATE: 06/15/10	SHEET 1 of 1	DRAWING VERSION: X.X	SCALE: 1:2	SHEET SIZE B