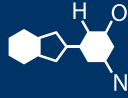


IF YOU...



MIX IT. FILL IT. PACK IT. SHIP IT.

WE HAVE A PRODUCT FOR YOU

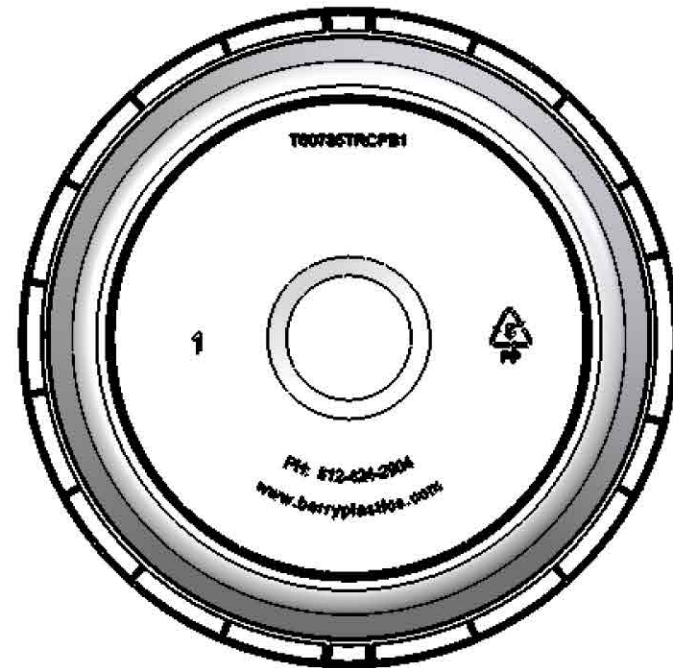


Part #	34W005
Capacity	85 oz.
Color	White
Neck Finish	L607
Material	HDPE
Closure	Snap On Lid
Label Panel Dimensions	4-1/16" x 19" - 1/2" gap in
Dimensions	6.87" Dia. x 6"H
Case Pack	120 ea.
Pallet Pack	2,160 ea. (18 Cases)

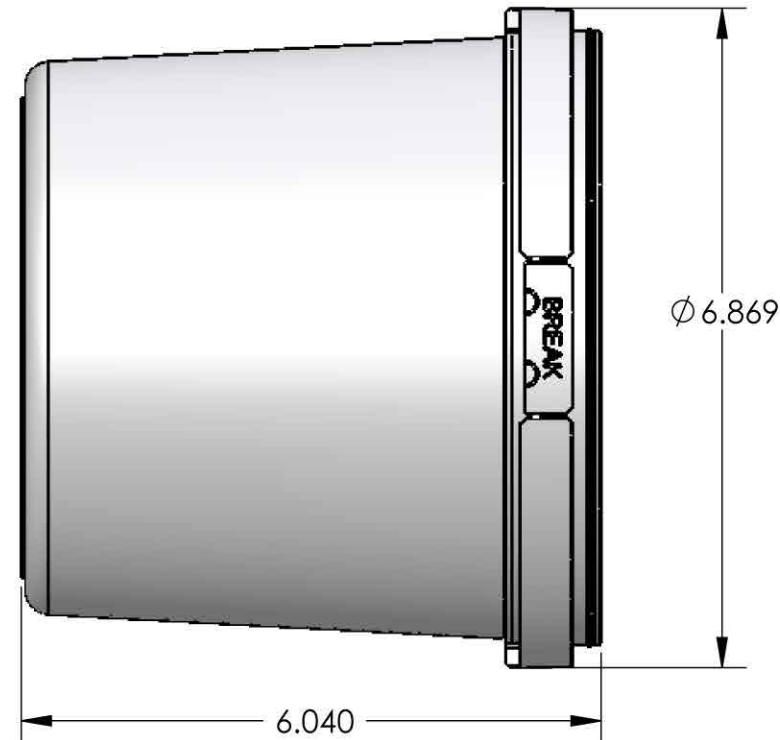


LET	REVISION DESCRIPTION	BY	ECN #	DATE
A	UPDATED PART DATA TABLE	DK	N/A	10/5/2007

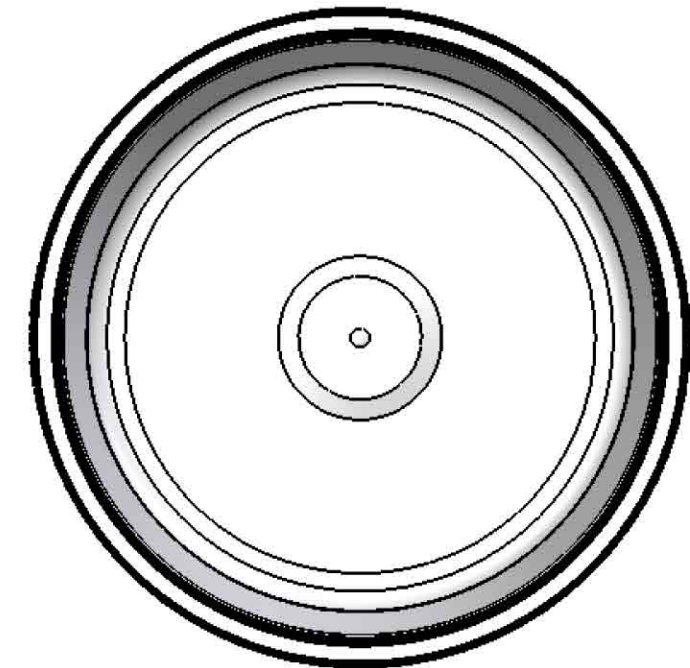
BOTTOM VIEW



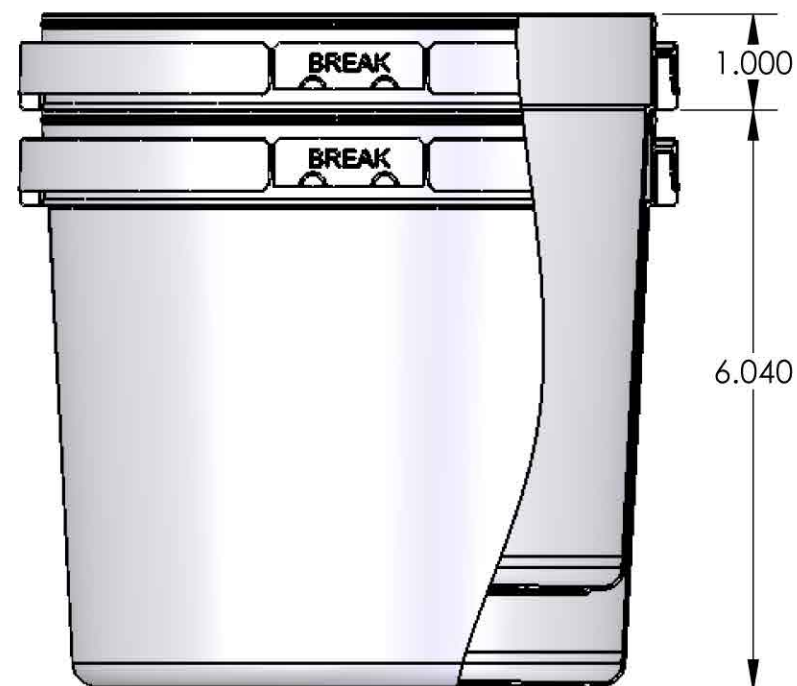
SIDE VIEW



TOP VIEW



STACKING VIEW



PART DATA	
MATERIAL	Berry PP Copoly
WEIGHT (GRAMS)	75.9
VOLUME (CUBIC IN)	168.4
OVERFLOW CAPACITY(OZ)	93.3
OVERFLOW CAPACITY(CC)	2759.6



The
CARY COMPANY
Est. 1895

DRAWING TITLE: BASIC PART PRINT				
PD ENGINEER: RAY FALLEN		PROJECT NAME:		
DRAWN BY: DARIN KOESTRING		PROJECT SERIAL #:	PD DRAWING #:	
COMPLETION DATE: 07-17-07	REVISION LEVEL: A	SCALE: 1:2	SHEET SIZE: B	PRINTED DATE: 10/5/2007
THIRD ANGLE PROJECTION	DRAWING FILE NAME:			SHEET: 1 OF 1