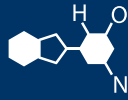


# IF YOU...

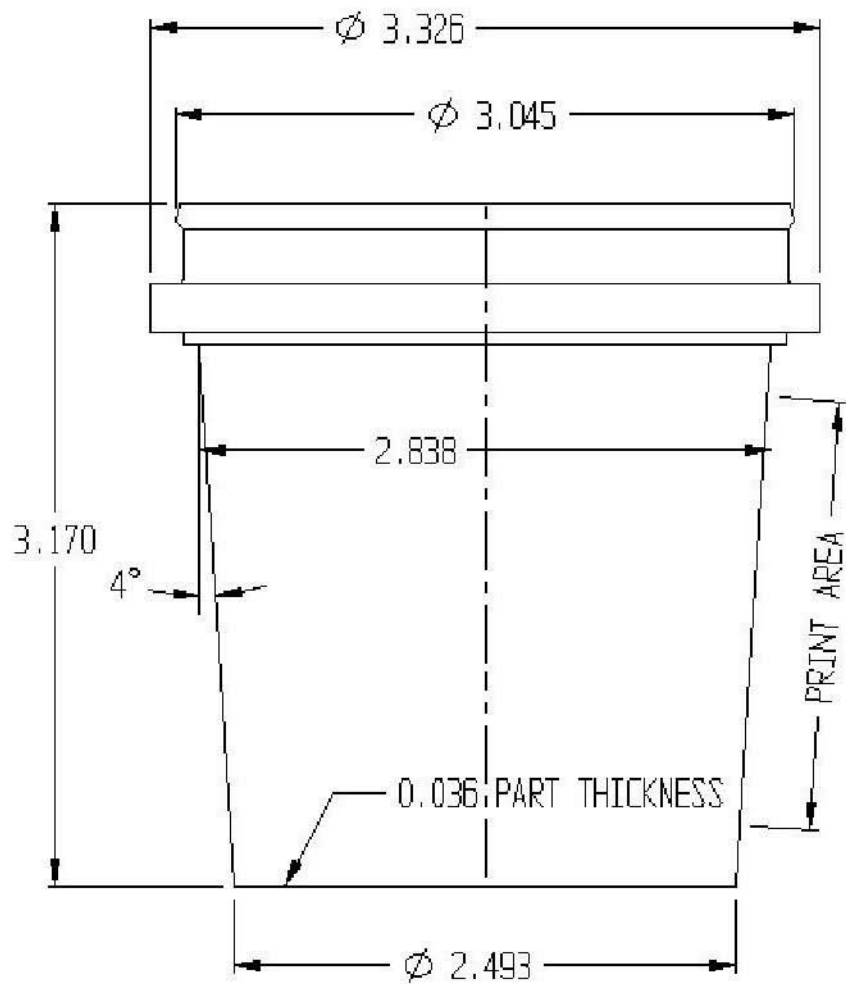


MIX IT. FILL IT. PACK IT. SHIP IT.

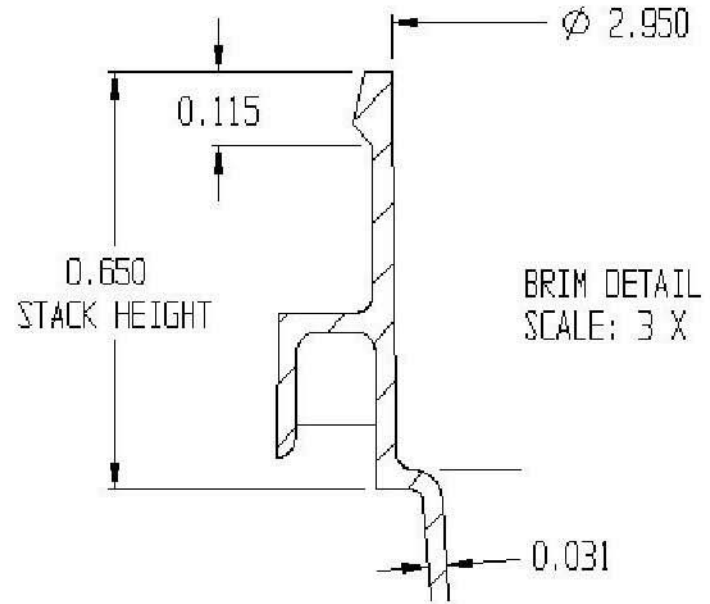
## WE HAVE A PRODUCT FOR YOU



Part #	34W017
Capacity	8 oz., 1/2 pt.
Color	White
Neck Finish	L303
Material	HDPE
Closure	Pry-Off Lid
Label Panel Dimensions	2 in. x 8 3/8 in - 3/8 in gap in
Dimensions	3.08" Dia. x 3.18"H
Case Pack	500 ea.
Pallet Pack	9,000 ea (18 Cases)



SIDE VIEW



NOTE: ALL DIMENSIONS ARE FOR REFERENCE ONLY.



Supplied By: **The Cary Company**  
 Ph: 630-629-6600  
[www.thecarycompany.com](http://www.thecarycompany.com)

34W017

**T30308PR1**

**JM-2160-1**

T005P/T30308PR1 CONTAINER

DRAWN BY	RJF	SCALE	INCHES	DRAWING NO.
DATE	09-26-02	MATERIAL	HOPE	02133-1