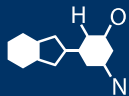


# IF YOU...



MIX IT. FILL IT. PACK IT. SHIP IT.

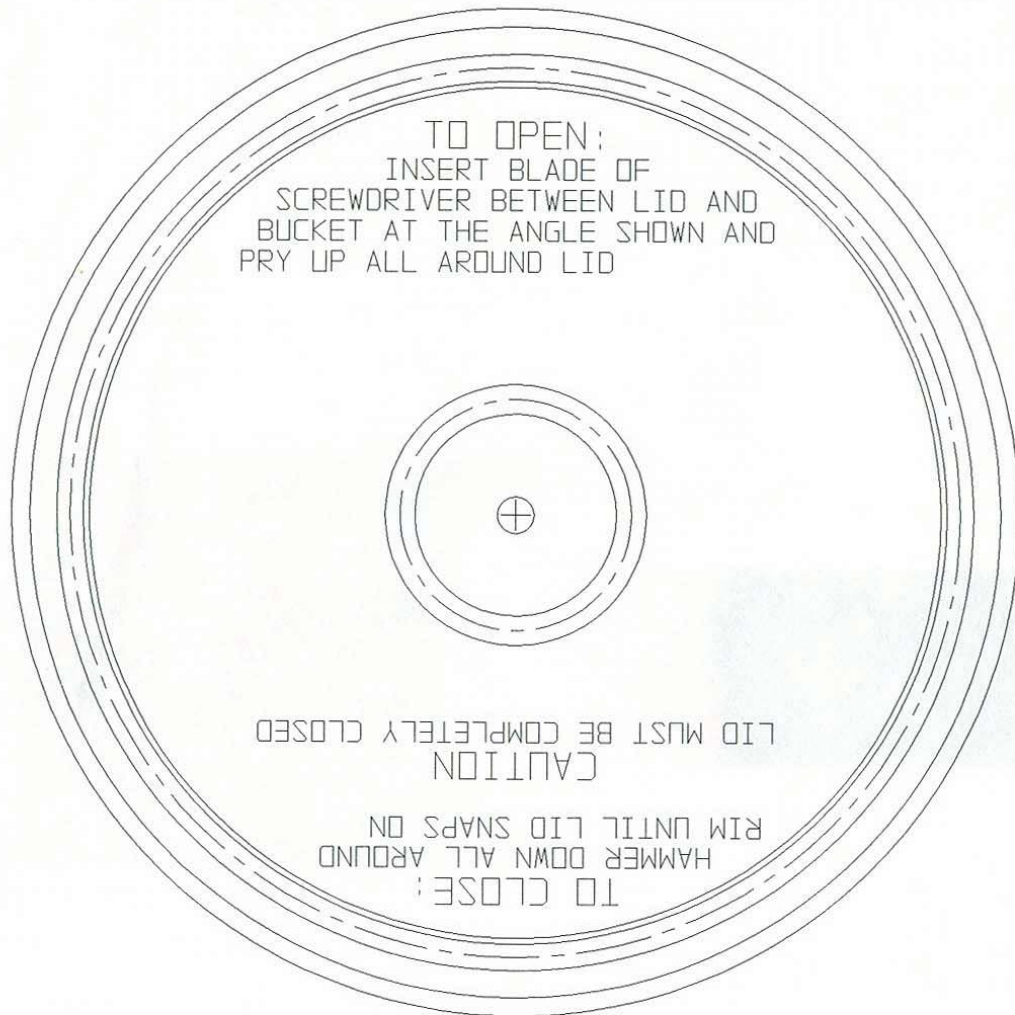
# WE HAVE A PRODUCT FOR YOU



Part #	34W01L
Pail Lid Options	Standard
Gasket	No Gasket
Fits	1 gal.
Color	White
Material	HDPE
Case Pack	270 ea.
Pallet Pack	6,480 ea. (24 Cases)
FDA Approved	Yes

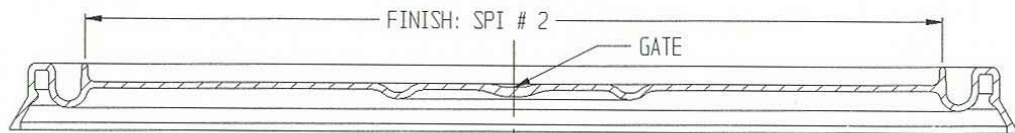


TO OPEN:  
 INSERT BLADE OF  
 SCREWDRIVER BETWEEN LID AND  
 BUCKET AT THE ANGLE SHOWN AND  
 PRY UP ALL AROUND LID

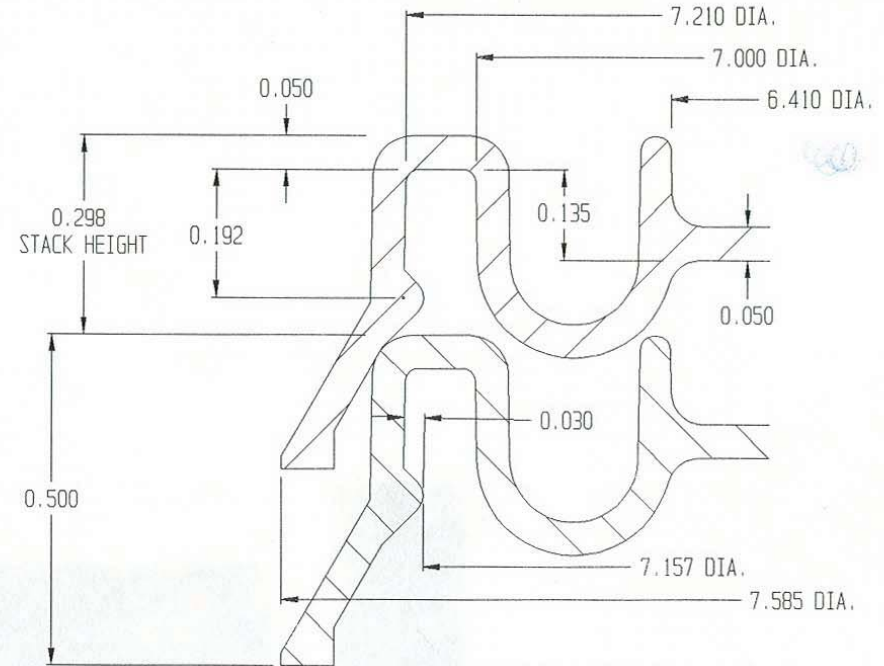


TO CLOSE:  
 HAMMER DOWN ALL AROUND  
 RIM UNTIL LID SNAPS ON  
 CAUTION  
 LID MUST BE COMPLETELY CLOSED

TOP VIEW



CROSS SECTION



STACK HEIGHT  
 SCALE: 5X

NOTE: ALL DIMENSIONS ARE FOR REFERENCE ONLY.  
 FINISH: VAPOR HONE ALL SURFACES EXCEPT AS NOTED.

LET	REVISION	DATE	BY

CONFIDENTIAL



Supplied By: **The Cary Company**  
 Ph: 630-629-6600  
 www.thecarycompany.com

L08P PRO-LINE

L704PR1  
 JM-3042-1

DRAWN BY	SCALE	INCHES	DRAWING NO.
PFE	INCHES		C3083-1
DATE	MATERIAL	HDPE	
09-07-94	HDPE		