

IF YOU...



MIX IT. FILL IT. PACK IT. SHIP IT.

WE HAVE A PRODUCT FOR YOU

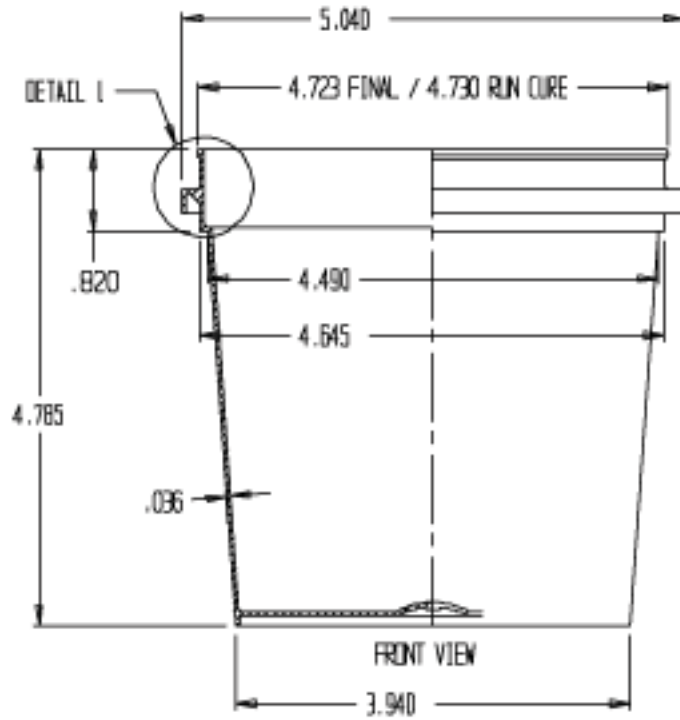


| | |
|------------------------|-------------------------------|
| Part # | 34W04B |
| Capacity | 32 oz., 1 Qt. |
| Color | Black |
| Neck Finish | L412 |
| Material | HDPE |
| Closure | Pry-Off Lid |
| Label Panel Dimensions | 3 3/8" x 13 1/4" - 3/8 Gap In |
| Dimensions | 4.76" Dia. x 4.75"H |
| Case Pack | 300 ea. |
| Pallet Pack | 3,000 ea. (10 Cases) |

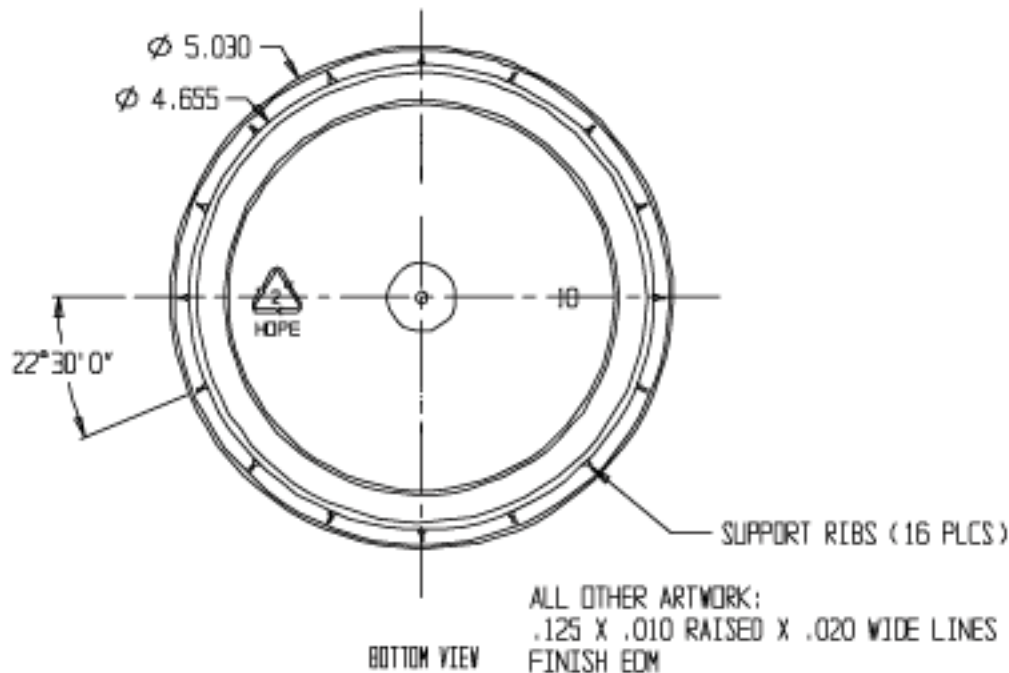




Supplied By: **The Cary Company**
 Ph: 630-629-6600
 www.thecarycompany.com



CUSTOMER DRAWING
 ALL DIMENSIONS ARE FOR REFERENCE ONLY
 DIMENSIONS REFLECT ACTUAL PART AFTER REV. C



| LET | REVISION | DATE | BY |
|--------------------------------|----------|----------|-------------|
| CONFIDENTIAL | | | |
| 34W04B | | | |
| T41232PR3 REV. C (CLUST. DWG.) | | | |
| DRAWN BY | TLW | SCALE | DRAWING NO. |
| DATE | 10-16-02 | MATERIAL | HOPE |
| | | | REV. C |