

# IF YOU...



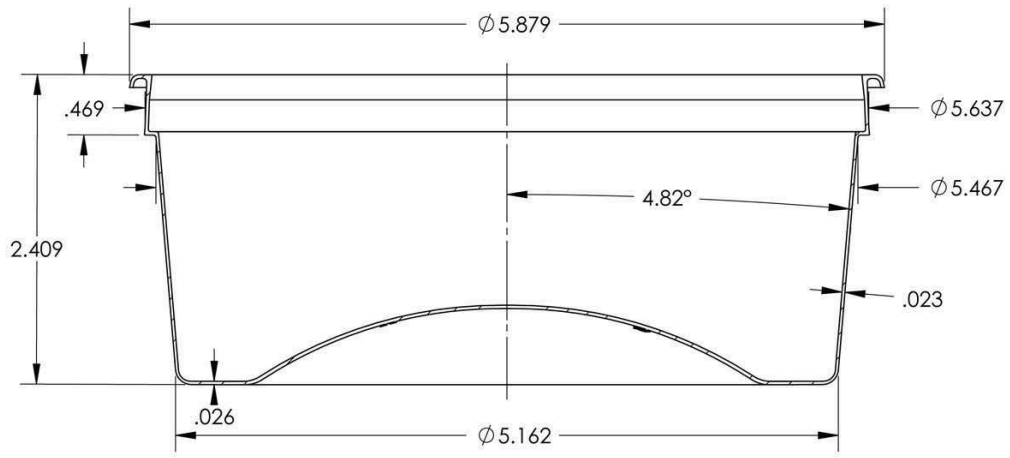
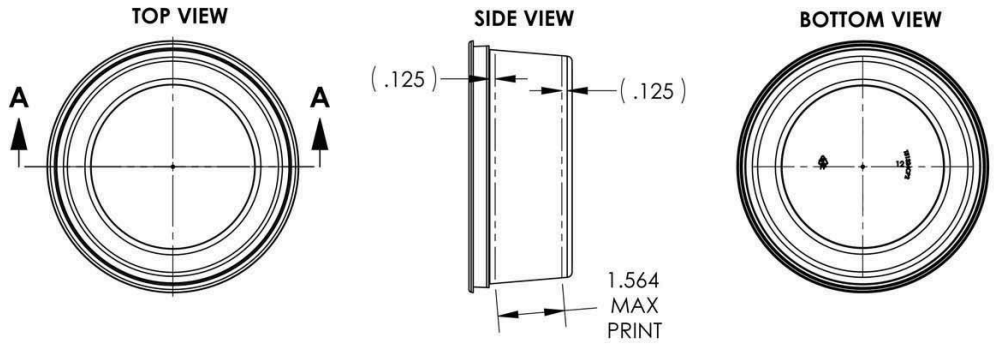
MIX IT. FILL IT. PACK IT. SHIP IT.

# WE HAVE A PRODUCT FOR YOU

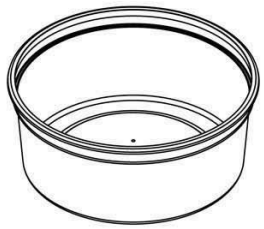


Part #	34W51C
Capacity	24 oz.
Color	White
Neck Finish	L513
Material	PP
Closure	Snap On Lid
Dimensions	5.88" Dia. x 2.46"H
Case Pack	300 ea.
Pallet Pack	3,600 ea. (12 Cases)


LET	REVISION DESCRIPTION	BY	ECN #	DATE
A	RELEASE PRINT (REPLACED T51324CP2)	DK	N/A	2/29/2008
B	UPDATED TO Q.A. REPORT	DK	N/A	9/3/2008
C	UPDATED BLOCK	JE	N/A	2/13/2009



SECTION A-A  
SCALE 1 : 1



PART DATA	
RESIN FAMILY	CoPP
RESIN DENSITY (GRAMS/CUBIC IN)	14.9
ESTIMATED WEIGHT (CAD MODEL GRAMS)	24.9
VOLUME (CUBIC IN)	49.0
OVERFLOW CAPACITY(OZ)	27.1
OVERFLOW CAPACITY(CC)	803.0


 Supplied By: **The Cary Company**  
 Ph: 630-629-6600  
 www.thecarycompany.com

PRODUCT NAME:	<b>34W51C</b>	DRAWING TITLE:	<b>BASIC PART PRINT</b>
ENGINEER:	TLW	PROJECT #:	JM-2537-2
DESIGNER:	RANDALL FREEMAN	WC NUMBER#:	0000010275
REVISION LEVEL:	A	SCALE:	1:3
SHEET SIZE:	B	DATE:	02/29/08
FILE NAME:	JM-2537-2 BP	DESCRIPTION:	