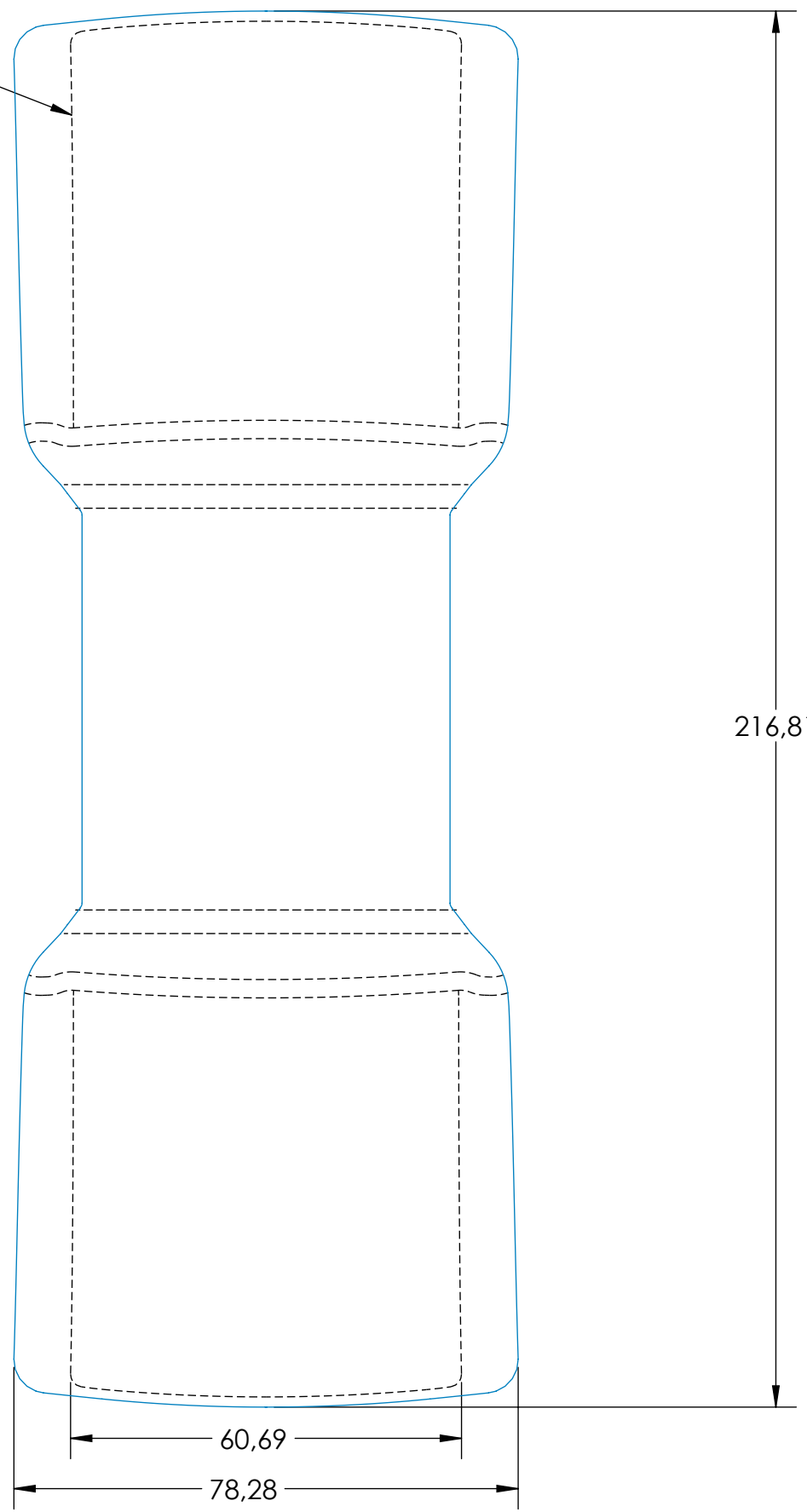


ANY LETTERING OUTSIDE  
THIS CONTOUR MIGHT  
APPEAR DISTORTED



UNLESS OTHERWISE STATED: DIMENSIONS ARE IN MILLIMETERS TOLERANCES: ±1/2 IT 12 ANGLES: ±1/2°		AUTHOR:	NAME	DATE	TITLE: <b>34WCS6, 34WWS6 and S-16OZSQ IML 3 panels r2</b>
		VÉRIF.	A. SAVARD	2019-03-26	
		APPR. B.E.			
		APPR. FAB. QUAL.			
MATERIAL					FORMAT
FINITION					PRINT No.
COMMENTS:					<b>11x17</b> 16 OZ SQUARE CONTAINER
		SCALE: 1:1		MASS: g	SHEET 1 DE 1