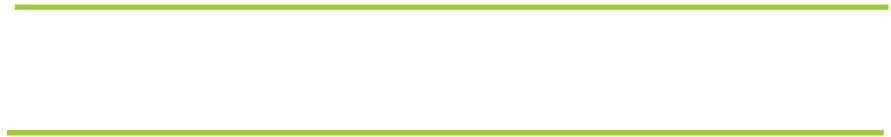


IF YOU...



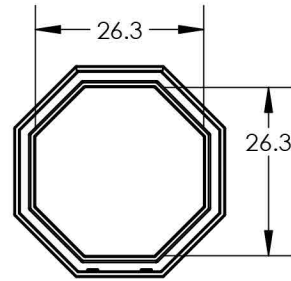
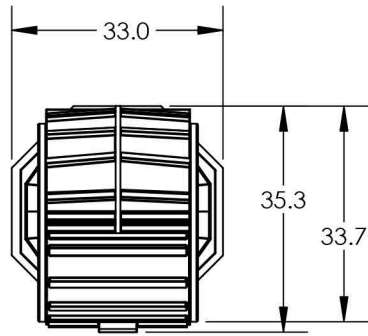
MIX IT. FILL IT. PACK IT. SHIP IT.

WE HAVE A **PRODUCT** FOR YOU



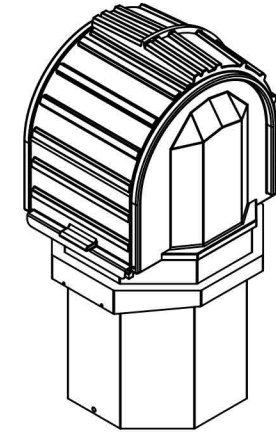
Part #	37BCUN
Capacity	1-Drum Unit
Color	Yellow
Dimensions	36" x 26" x 66"
Weight	75 lbs. (34 kg)
Material	PE
Pallet Pack	8 ea.
Model	UltraTech 9640



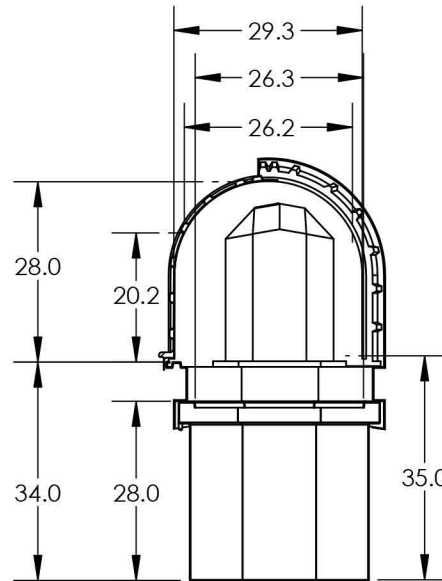


SECTION B-B
SCALE 1 : 30

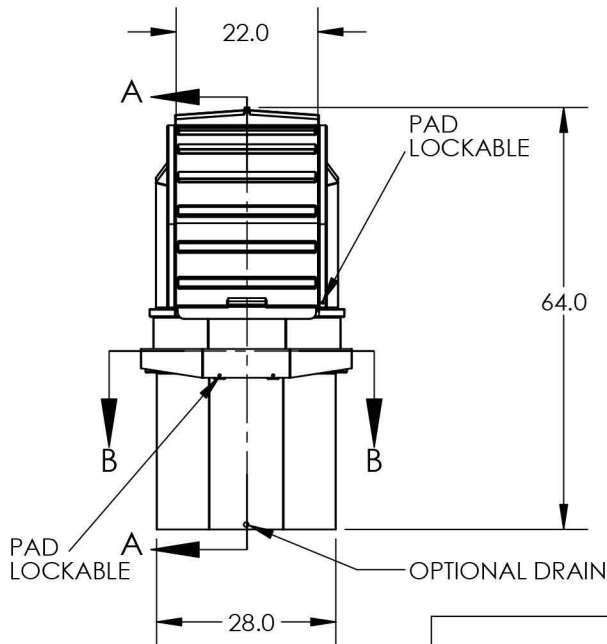
1	10/18/12	MPC	INITIAL RELEASE
REV	DATE	BY	DESCRIPTION



CAPACITY: 70 GALLONS



SECTION A-A
SCALE 1 : 30



The **CARY COMPANY**
Est. 1895

		UNLESS OTHERWISE SPECIFIED:		NAME	DATE
		DIMENSIONS ARE IN INCHES	DRAWN	MPC	10/18/12
		TOLERANCES:	CHECKED	MPC	10/18/12
		FRACTIONAL ±	ENG APPR.		
		ANGULAR: MACH ± BEND ±	MFG APPR.		
		TWO PLACE DECIMAL ±	Q.A.		
		THREE PLACE DECIMAL ±	COMMENTS:		
		INTERPRET GEOMETRIC TOLERANCING PER:			
		MATERIAL			
		FINISH			
NEXT ASSY	USED ON				
APPLICATION		DO NOT SCALE DRAWING			

TITLE:		
ULTRA-HARD TOP P1 PLUS		
SIZE	DWG. NO.	REV
A		1
SCALE: 1:12	WEIGHT:	SHEET 1 OF 1

5

4

3

2

1