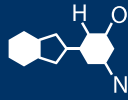


IF YOU...



MIX IT. FILL IT. PACK IT. SHIP IT.

WE HAVE A **PRODUCT** FOR YOU

Part # 37BK24

Safety Showers

Eyewash Station, Wall Mount, Open ABS Bowl



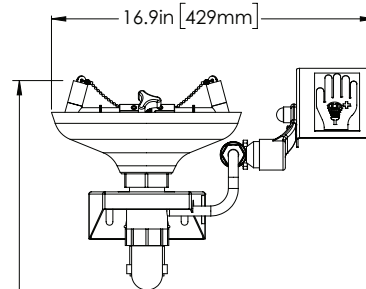
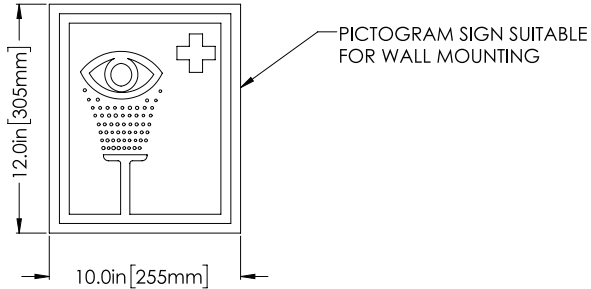
The
CARYCOMPANY
Est. 1895

1195 W. Fullerton Ave. | Addison, IL 60101 | T: 630.629.6600 | F: 630.629.3690 | TheCaryCompany.com

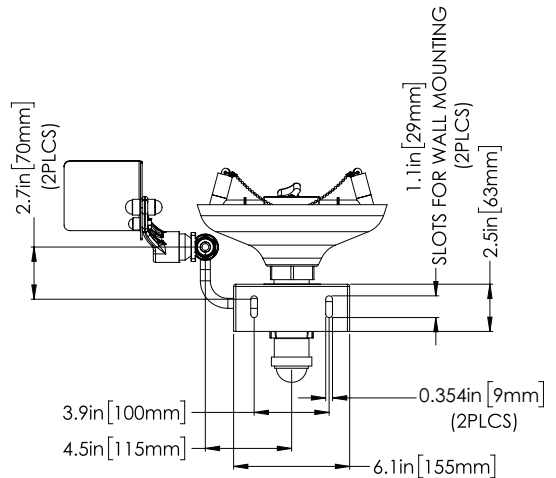
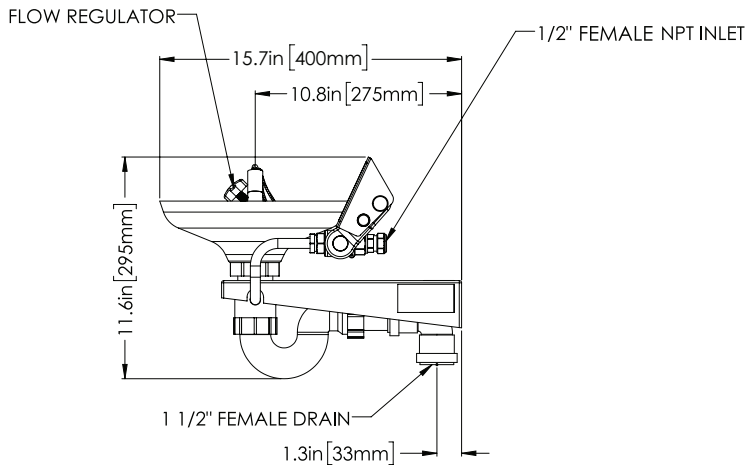
75GEW

Product Data Sheet - G.A. Drawings

Emergency Eye/Face Wash - Plumbed in Type: Wall Mounted



TO COMPLY WITH
 ANSI Z358.1: EYE/FACE WASH NOZZLES
 SHALL BE POSITIONED 33 in [83.8 cm] TO
 45 in [114.3 cm] FROM STANDING SURFACE.
 FLUSHING FLUID SHALL NOT EXCEED
 8 in [20.3 cm] ABOVE NOZZLES.



MOUNTING PLATE VIEW
 (MOUNTING HARDWARE NOT INCLUDED)

VARIATIONS IN MANUFACTURING AND ASSEMBLY
 ALLOW FOR ±1/8 IN [3MM] PER THREADED JOINT.