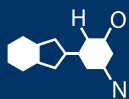


IF YOU...



MIX IT. FILL IT. PACK IT. SHIP IT.

WE HAVE A PRODUCT FOR YOU

Part # 37BK34

Eyewash Stations

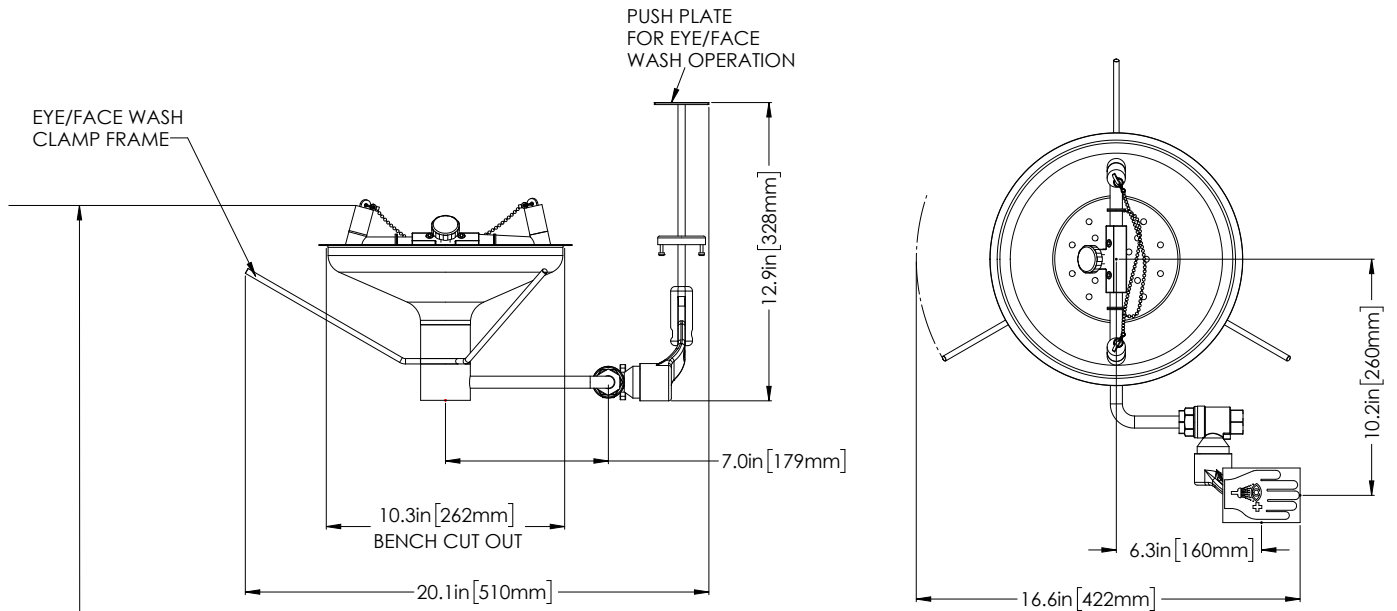
Laboratory Eyewash Station, Table Mount,
Stainless Steel Pipe, Open Stainless Steel Bowl



The
CARYCOMPANY
Est. 1895

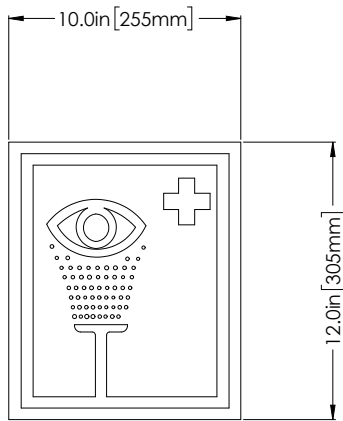
1195 W. Fullerton Ave. | Addison, IL 60101 | T: 630.629.6600 | F: 630.629.3690 | TheCaryCompany.com

Emergency Eye/Face Wash Type: Laboratory, Table Mount



TO COMPLY WITH
ANSI Z358.1: EYE/FACE WASH NOZZLES
SHALL BE POSITIONED 33 in [83.8 cm] TO
45 in [114.3 cm] FROM STANDING SURFACE.
FLUSHING FLUID SHALL NOT EXCEED
8 in [20.3 cm] ABOVE NOZZLES.

VARIATIONS IN MANUFACTURING AND ASSEMBLY
ALLOW FOR ±1/8 in [3 mm] PER THREADED JOINT.



PICTOGRAM SIGN SUITABLE
FOR WALL MOUNTING

