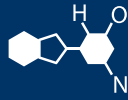


# IF YOU...



MIX IT. FILL IT. PACK IT. SHIP IT.

# WE HAVE A **PRODUCT** FOR YOU

Part # 37BK48

Combination Units

Combination Safety Shower w/ Eyewash Station,  
Floor Mount, Open Stainless Steel Bowl,  
Galvanized Pipe, Top Inlet



shown with optional treadle

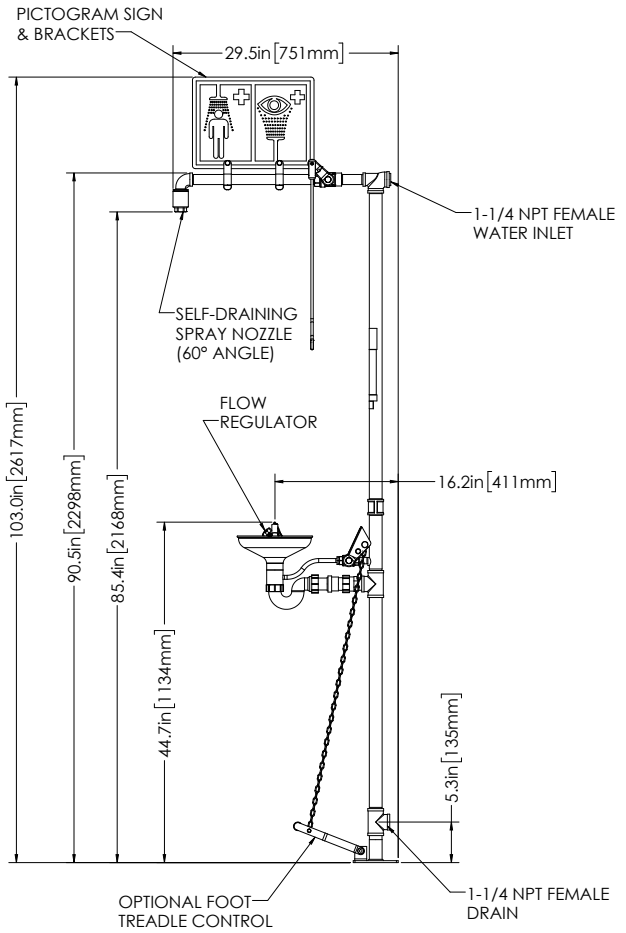
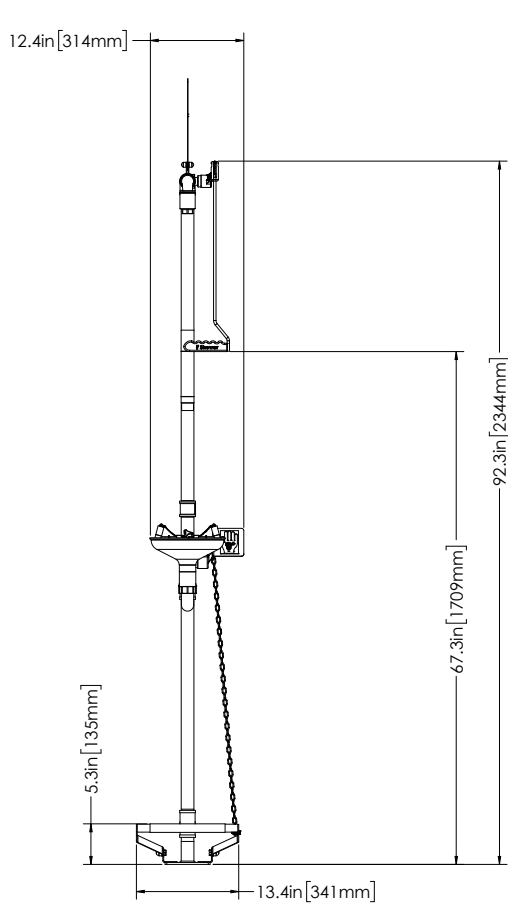
The  
**CARY**COMPANY  
Est. 1895

1195 W. Fullerton Ave. | Addison, IL 60101 | T: 630.629.6600 | F: 630.629.3690 | [TheCaryCompany.com](http://TheCaryCompany.com)

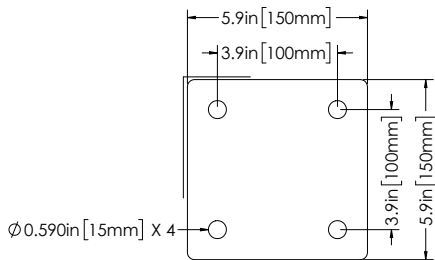
**18G85G**  
**18GS85G**

Product Data Sheet - G.A. Drawings

**Indoor Emergency Safety Shower Type: Combination**



VARIATIONS IN MANUFACTURING AND ASSEMBLY  
 ALLOW FOR ±1/8 IN [3MM] PER THREADED JOINT.



FLOOR MOUNTING PLATE VIEW  
 (MOUNTING HARDWARE NOT INCLUDED)