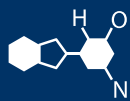


# IF YOU...



MIX IT. FILL IT. PACK IT. SHIP IT.

# WE HAVE A **PRODUCT** FOR YOU

Part # 37BK57

Safety Showers

## Laboratory Drench Safety Shower, Ceiling Mount, Stainless Steel Pipe

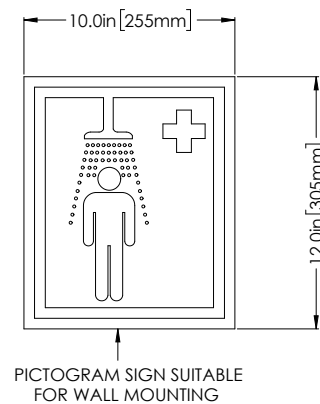
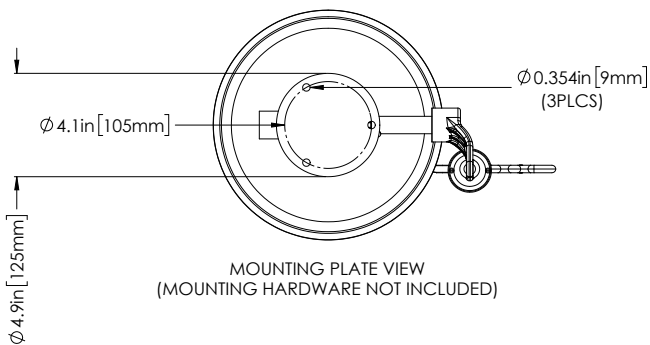
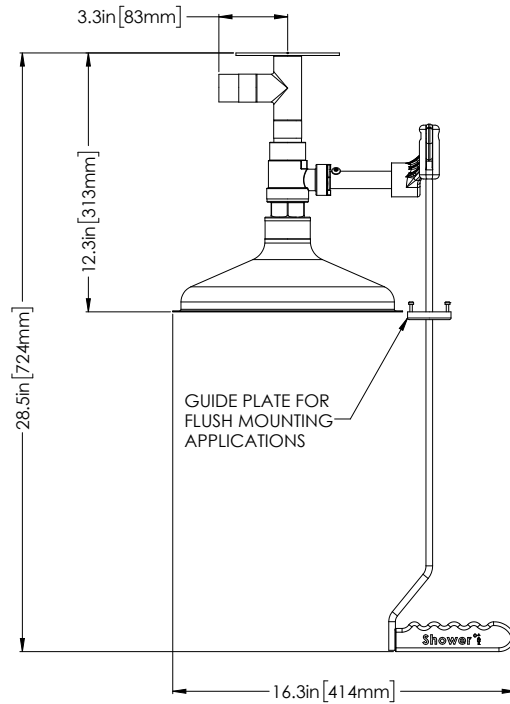
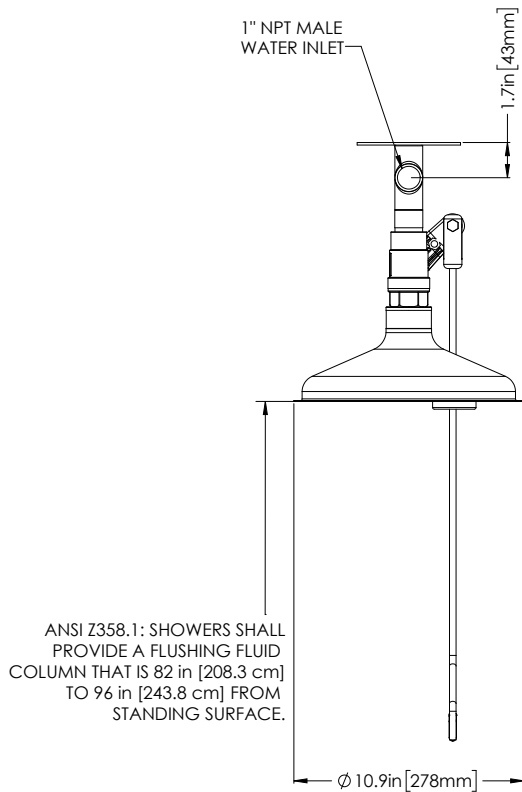


The  
**CARY**COMPANY  
Est. 1895

**L23GSV**

Product Data Sheet - G.A. Drawings

**Indoor Emergency Safety Shower Type: Laboratory Range**



VARIATIONS IN MANUFACTURING AND ASSEMBLY ALLOW FOR ±1/8 in [3 mm] PER THREADED JOINT.