

IF YOU...



MIX IT. FILL IT. PACK IT. SHIP IT.

WE HAVE A PRODUCT FOR YOU

Part # 37BK63

Combination Units

Self-Draining Combination Safety Shower w/ Eyewash Station, Floor Mount, Open ABS Bowl, Galvanized Pipe



shown with optional treadle

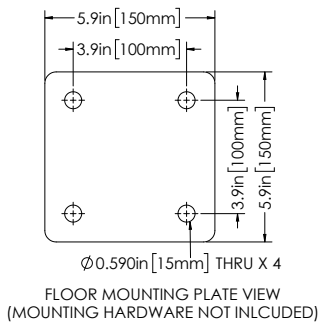
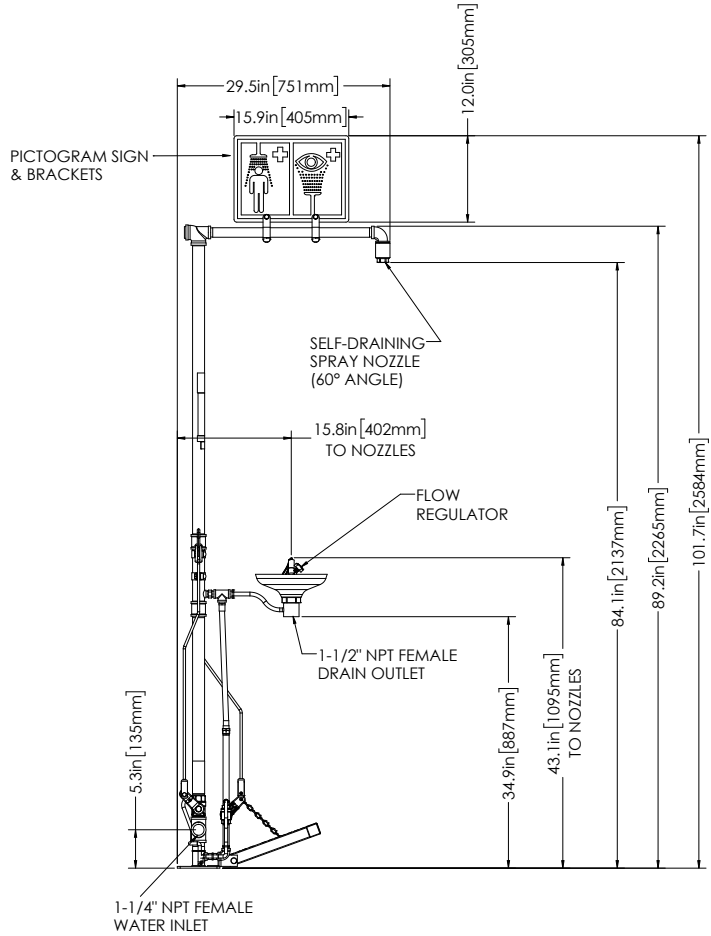
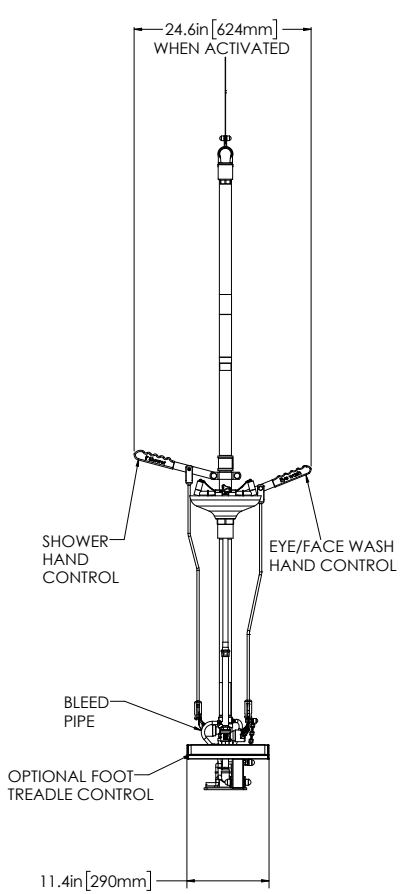
The
CARYCOMPANY
Est. 1895

1195 W. Fullerton Ave. | Addison, IL 60101 | T: 630.629.6600 | F: 630.629.3690 | TheCaryCompany.com

SD18G75G
SD18GS75G

Product Data Sheet - G.A. Drawings

Outdoor Emergency Safety Shower Type: Self-Draining, Combination



VARIATIONS IN MANUFACTURING AND ASSEMBLY ALLOW FOR ±1/8 in [3 mm] PER THREAD JOINT.

