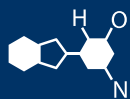


IF YOU...



MIX IT. FILL IT. PACK IT. SHIP IT.

WE HAVE A **PRODUCT** FOR YOU

Part # 37BK65

Combination Units

**Self-Draining Combination Safety Shower
w/ Eyewash Station, Floor Mount, Open Stainless
Steel Bowl, Galvanized Pipe**



shown with optional treadle

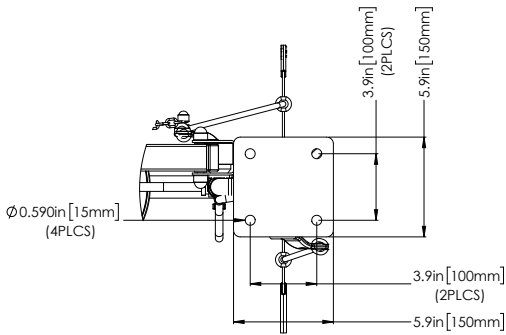
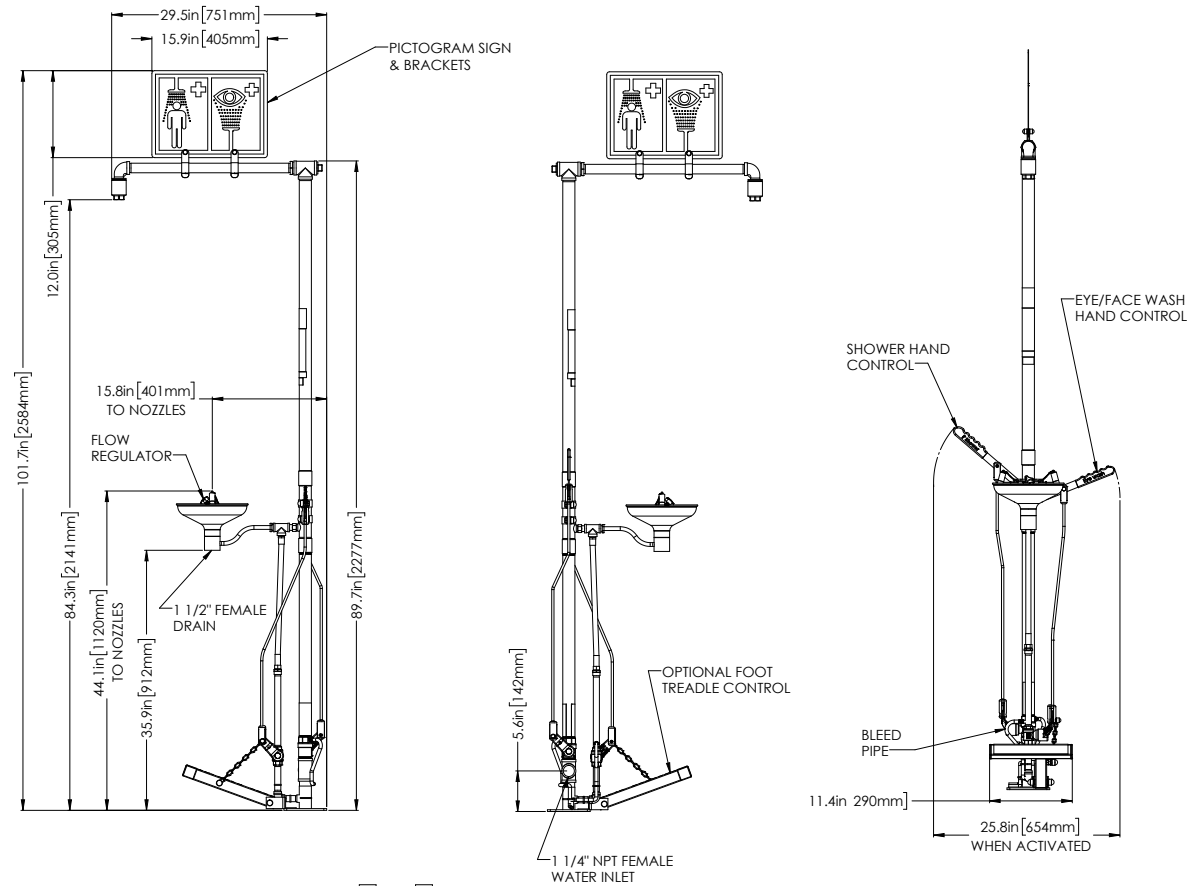
The
CARYCOMPANY
Est. 1895

1195 W. Fullerton Ave. | Addison, IL 60101 | T: 630.629.6600 | F: 630.629.3690 | TheCaryCompany.com

SD18G85G
SD18GS85G

Product Data Sheet - G.A. Drawings

Outdoor Emergency Safety Shower Type: Self-Draining, Combination



MOUNTING PLATE VIEW
 (MOUNTING HARDWARE NOT INCLUDED)

VARIATIONS IN MANUFACTURING AND ASSEMBLY
 ALLOW FOR ±1/8 in [3 mm] PER THREADED JOINT.