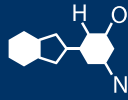


IF YOU...



MIX IT. FILL IT. PACK IT. SHIP IT.

WE HAVE A PRODUCT FOR YOU

Part # 37BK86

Combination Units

30 Gallon Mobile Self-Contained Emergency Safety Shower w/ Eyewash Station



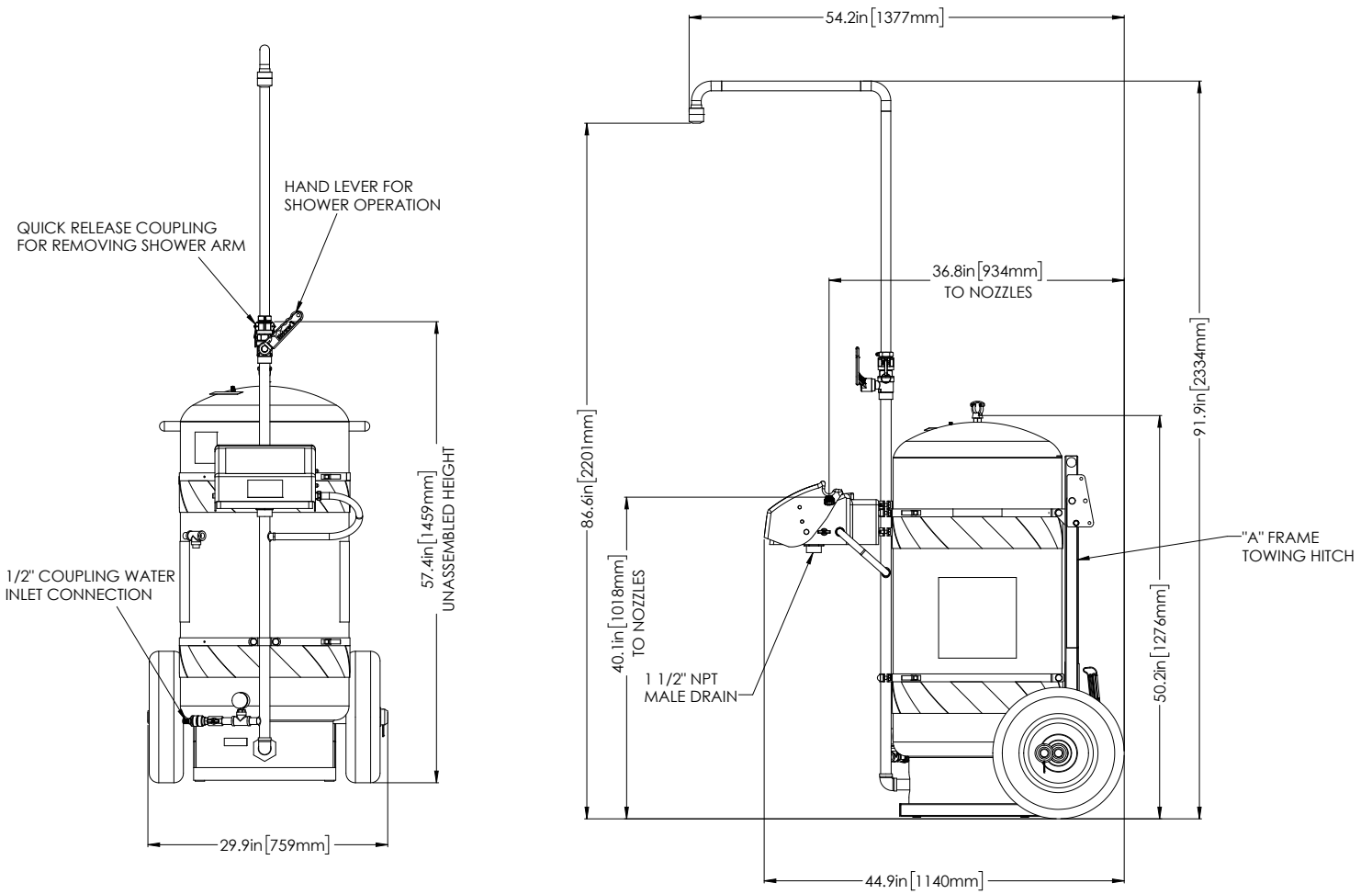
The
CARYCOMPANY
Est. 1895

1195 W. Fullerton Ave. | Addison, IL 60101 | T: 630.629.6600 | F: 630.629.3690 | TheCaryCompany.com

40K45G-A

Product Data Sheet - G.A. Drawings

Mobile, Self-Contained Emergency Safety Shower



VARIATIONS IN MANUFACTURING AND ASSEMBLY ALLOW FOR ±1/8 in [3 mm] PER THREADED JOINT.