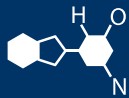


IF YOU...



MIX IT. FILL IT. PACK IT. SHIP IT.

WE HAVE A **PRODUCT** FOR YOU

Part # 37BK89

Combination Units

**528 Gallon Immersion Heated Mobile
Self-Contained Emergency Safety Shower, 110v, GP**



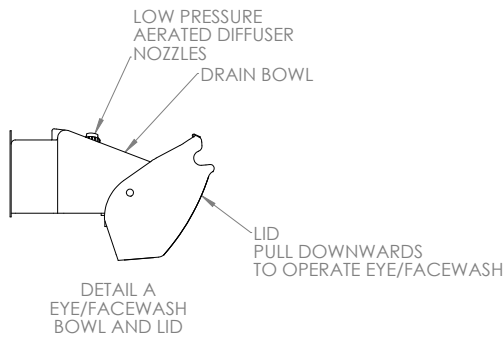
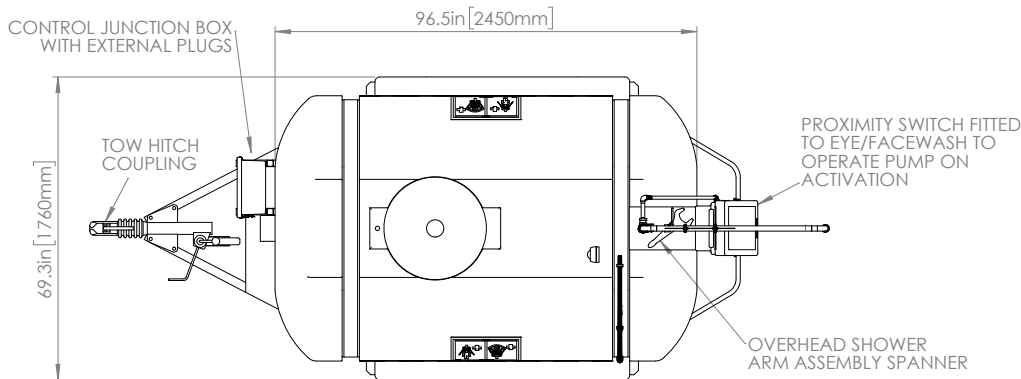
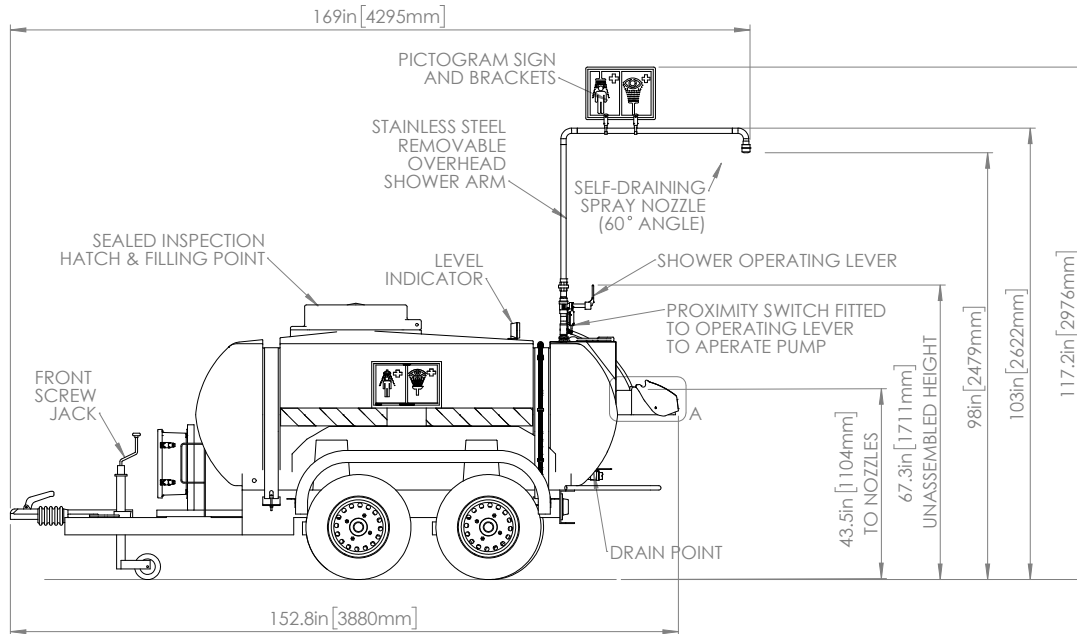
The
CARYCOMPANY
Est. 1895

1195 W. Fullerton Ave. | Addison, IL 60101 | T: 630.629.6600 | F: 630.629.3690 | TheCaryCompany.com

MHW2000-1

Product Data Sheet - G.A. Drawings

Mobile, Self-Contained Emergency Safety Shower with Immersion Heater



ELECTRICAL CONNECTION DETAILS:
 TRAILER CONNECTION: 4-WAY FLAT
 IMMERSION HEATER: 110VAC, 20A CIRCUIT, PLUG ENDS PROVIDED
 PUMP: 110VAC, 15A CIRCUIT, PLUG ENDS PROVIDED