

IF YOU...



MIX IT. FILL IT. PACK IT. SHIP IT.

WE HAVE A PRODUCT FOR YOU

Part # 37BL23

Combination Units

Emergency Cubicle Safety Shower, Multi-Nozzle
Body Wash w/ Eyewash Station, Closed ABS bowl,
Sump Pump, 120v



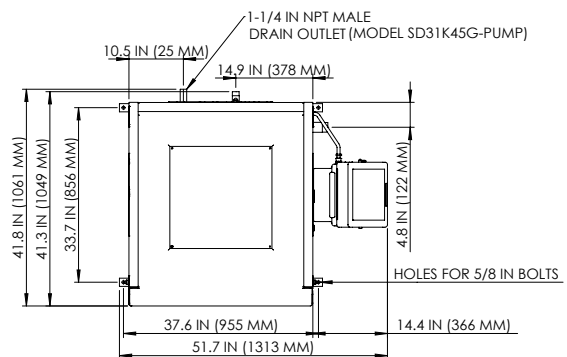
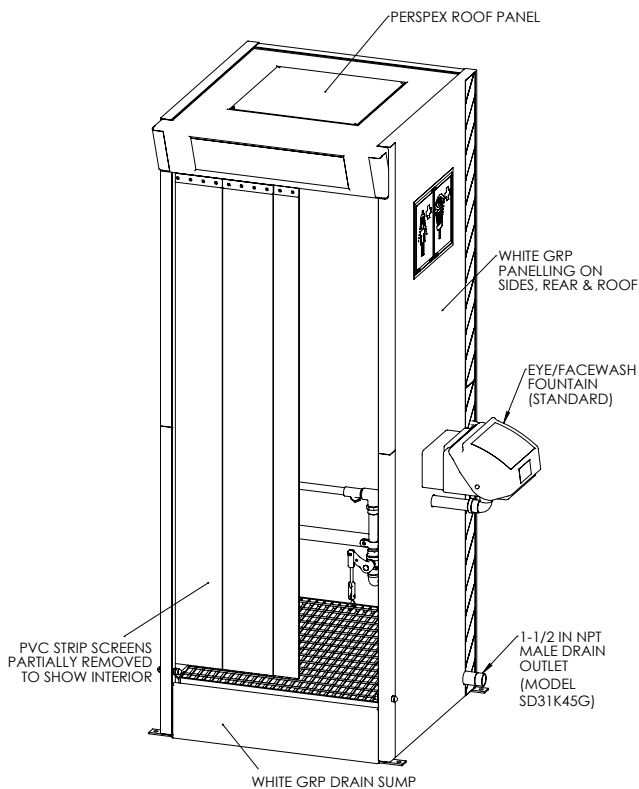
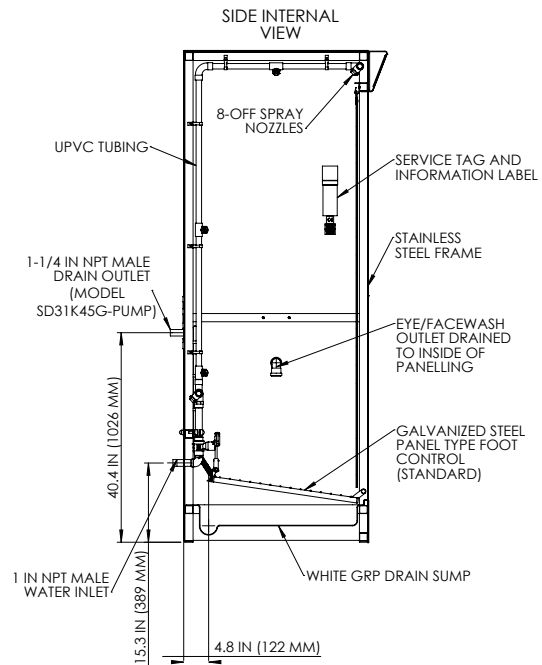
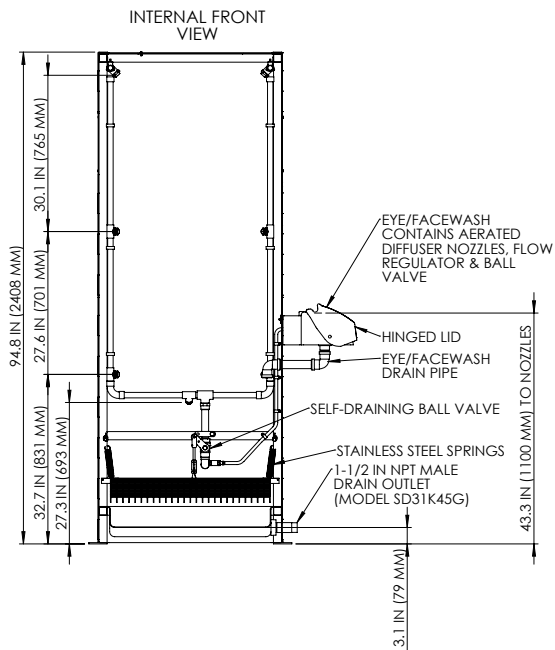
The
CARYCOMPANY
Est. 1895

1195 W. Fullerton Ave. | Addison, IL 60101 | T: 630.629.6600 | F: 630.629.3690 | TheCaryCompany.com

**SD31K45G
SD31K45G-PUMP**

Product Data Sheet - G.A. Drawings

Emergency Cubicle Shower Type: Multi-nozzle Decontamination



NOTE: SUMP CONFIGURATION CHANGES FOR MODEL WITH PUMP, LOCATED IN REAR LEFT HAND CORNER OF CUBICLE.