

# IF YOU...

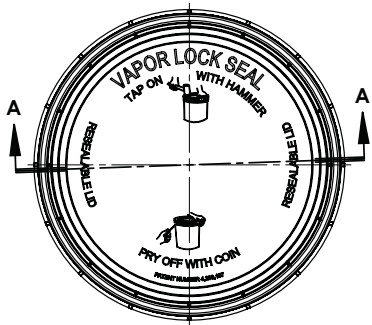


MIX IT. FILL IT. PACK IT. SHIP IT.

# WE HAVE A PRODUCT FOR YOU



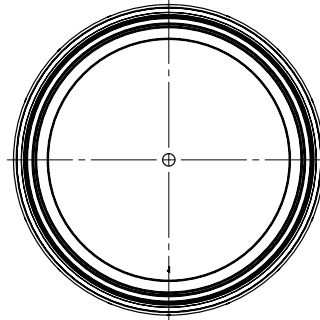
Part #	44W04L
Neck Finish	L406
Color	White
Material	HDPE
Case Pack	500 ea.
Pallet Pack	6,000 ea. (30 Cases)
Industries	Food & Beverage



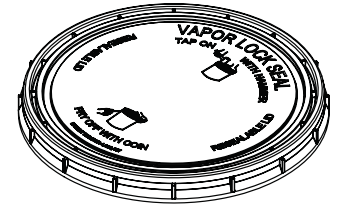
TOP VIEW



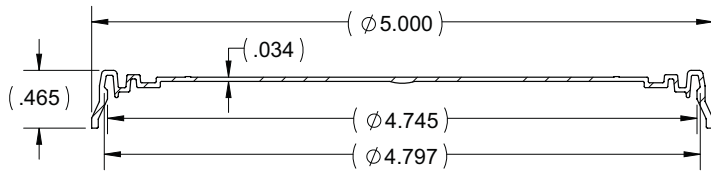
SIDE VIEW



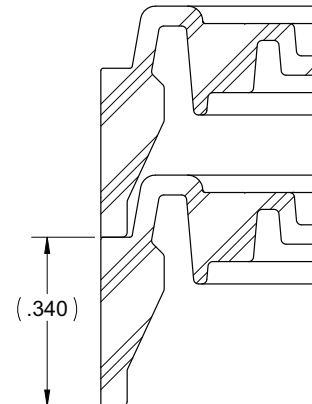
BOTTOM VIEW



NESTING VIEW



SECTION A-A  
SCALE 1 : 1



PART SPECIFICATIONS	
RESIN FAMILY	HDPE
ACTUAL WEIGHT ±X.X (GRAMS)	18.3

<---.XXX--->  ARE BASIC DIMENSIONS	<---(.XXX)--->  ARE REFERENCE DIMENSIONS	<---(XXX)--->  ARE INSPECTION DIMENSIONS
---------------------------------------	---	---

THIS DRAWING IS NOT A CONTROLLED DOCUMENT IF PRINTED OR COPIED FROM THE APPROVED LOCATION

THIS IS A PRELIMINARY PRODUCT DRAWING, SPECIFICATIONS ARE SUBJECT TO CHANGE.



PH 630-629-6600 - FX 630-629-3690  
1195 W. FULLERTON AVE. - ADDISON, IL 60101  
WWW.THECARYCOMPANY.COM

PRODUCT NAME: <b>L411VL1</b>		DRAWING TYPE: <b>CUSTOMER</b>			
DESCRIPTION: <b>SUPERFOS VAPOR LOCK LID #572</b>					
FILE NAME: CP-120015-PRT1			PROJECT #: 120015		
CREATED BY: ALB	CREATION DATE: 01/09/12	SHEET 1 of 1	DRAWING VERSION: A.1	SCALE: 1:2	SHEET SIZE B