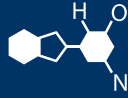


# IF YOU...

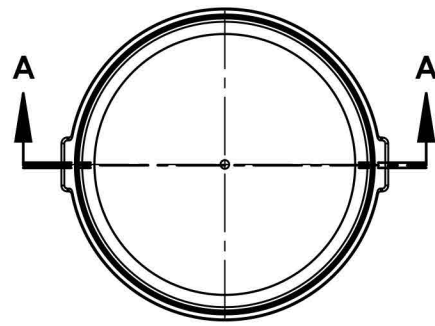


MIX IT. FILL IT. PACK IT. SHIP IT.

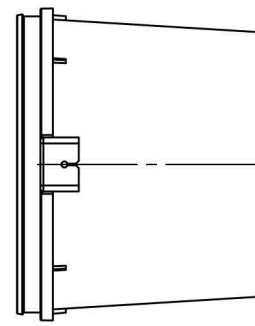
## WE HAVE A PRODUCT FOR YOU



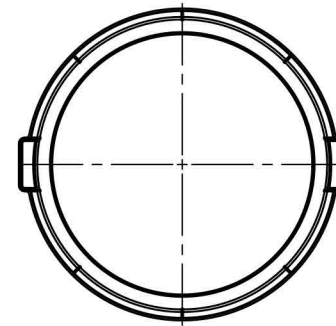
Part #	44W64W
Capacity	64 oz.
Color	White
Neck Finish	L604
Material	HDPE
Closure	Safe Lock Lid
Label Panel Dimensions	3" x 18 1/4" less 1/4" Gap In
Dimensions	6.5"Dia. x 5.55"H
Case Pack	200 ea.
Pallet Pack	1,600 ea (8 Cases)



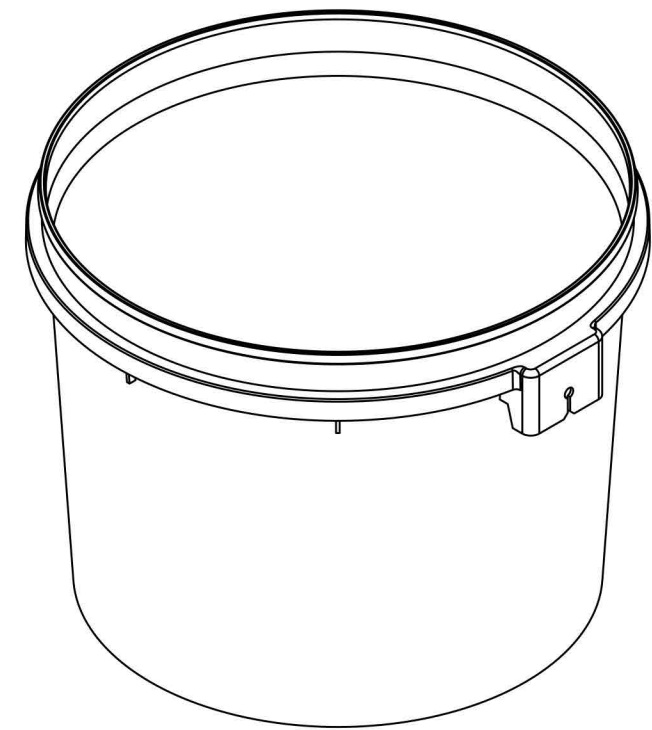
TOP VIEW



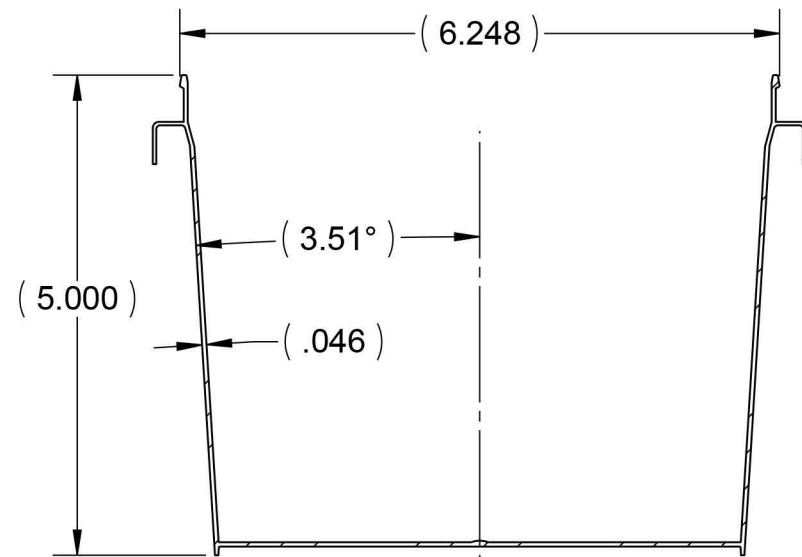
SIDE VIEW



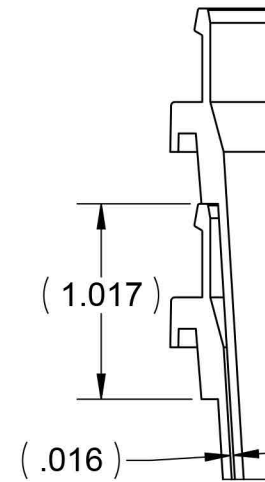
BOTTOM VIEW



NESTING VIEW



SECTION A-A  
SCALE 1 : 2



PART DATA	
RESIN FAMILY	HDPE
RESIN DENSITY (GRAMS/CUBIC IN)	15.6
ESTIMATED WEIGHT (CAD MODEL GRAMS)	88.1
VOLUME (CUBIC IN)	126.4
OVERFLOW CAPACITY(OZ)	70.0
OVERFLOW CAPACITY(CC)	2071.0
PROJECTED AREA (IN SQ.)	33.5

← .XXX →	← ( .XXX ) →	← .XXX →
BASIC DIMENSIONS	REFERENCE DIMENSIONS	INSPECTION DIMENSIONS

THIS DRAWING IS NOT A CONTROLLED DOCUMENT IF PRINTED OR COPIED FROM THE APPROVED LOCATION

THIS IS A PRELIMINARY PRODUCT DRAWING, SPECIFICATIONS ARE SUBJECT TO CHANGE.

PRODUCT NAME: <b>T60464VLL1</b>		DRAWING TYPE: <b>CUSTOMER</b>			
DESCRIPTION: VAPOR LOCK CONTAINER (SUPERFOS #504)					
DRAWING NO: CP-110090-prt1			PROJECT #: 110090		
CREATED BY: ALB	CREATION DATE: 01/21/11	SHEET 1 of 1	DRAWING VERSION: A.3	SCALE: 1:4	SHEET SIZE B