

# IF YOU...



MIX IT. FILL IT. PACK IT. SHIP IT.

# WE HAVE A PRODUCT FOR YOU



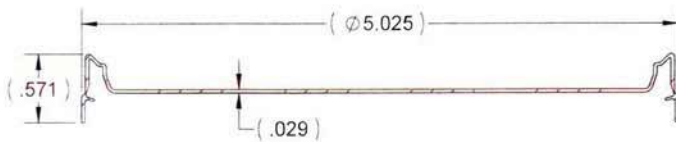
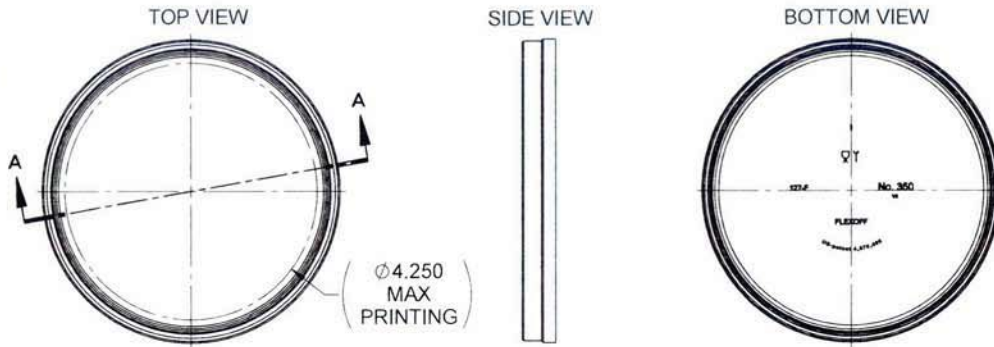
Part #	44WB4L
Neck Finish	L500
Color	Black
Material	PP
Case Pack	420 ea.
Pallet Pack	7,560 ea. (18 Cases)



Supplied By: **The Cary Company**

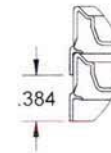
Ph: 630-629-6600

www.thecarycompany.com



SECTION A-A  
SCALE 1 : 1

NESTING VIEW



PART DATA	
RESIN FAMILY	LLDPE
RESIN DENSITY (GRAMS/CUBIC IN)	15.1
WEIGHT -X.X (GRAMS)	13.4

ARE BASIC DIMENSIONS		ARE REFERENCE DIMENSIONS		ARE INSPECTION DIMENSIONS	
THIS DRAWING IS NOT A CONTROLLED DOCUMENT IF PRINTED OR COPIED FROM THE APPROVED LOCATION					
THIS IS A PRELIMINARY PRODUCT DRAWING. SPECIFICATIONS ARE SUBJECT TO CHANGE (IN DEVELOPMENT).					
CONFIDENTIAL					
PRODUCT NAME <b>44WB4L</b>			DRAWING TYPE <b>CUSTOMER</b>		
DESCRIPTION FLEXOFF LID					
FILE NAME CP-110011-PRT1			PROJECT # 44WB4L		
CREATED BY DK	CREATION DATE 01/10/11	SHEET 1 of 1	DRAWING VERSION A.2	SCALE 1:2	SHEET SIZE B