

IF YOU...



MIX IT. FILL IT. PACK IT. SHIP IT.

WE HAVE A PRODUCT FOR YOU



Part #	44WNRL
Pail Lid Options	Standard
Wall Thickness	65 mil.
Gasket	Gasket
Fits	1 gal.
Color	White
Material	HDPE
Dimensions	7.67" Dia. x .69"H
Case Pack	225 ea.
Pallet Pack	4,500 ea. (20 Cases)
FDA Approved	Yes



1LH

PRODUCT SPECIFICATION SHEET

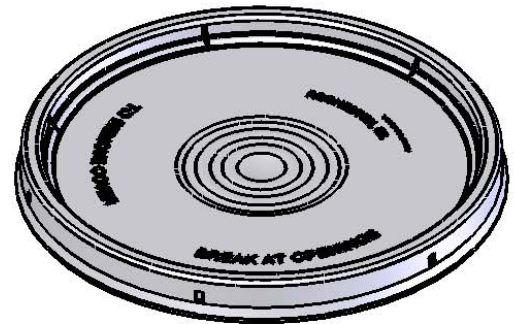
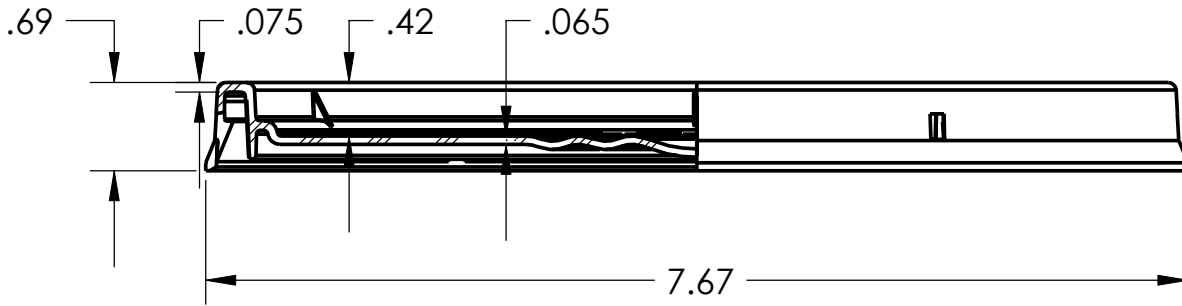
DIMENSIONS



Supplied By: **The Cary Company**

Ph: 630-629-6600

www.thecarycompany.com



FUNCTIONAL

REFERENCE WEIGHT	72g
CLOSURE OPTIONS	N/A
GASKET	SBR or EPDM
COLOR OPTIONS	PLEASE CONTACT SALES ASSOCIATE
COMPATIBLE CONTAINERS	PLEASE CONTACT SALES ASSOCIATE
RESIN	PREMIUM INJECTION GRADE HDPE

DATE: 04NOV2008

DWG: SPECL-3001P