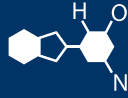


# IF YOU...



MIX IT. FILL IT. PACK IT. SHIP IT.

# WE HAVE A **PRODUCT** FOR YOU

Part #44WR1P

Round Plastic Pails

**1 Gallon White Plastic Pail w/ Plastic Handle  
(P8 Series)**



The  
**CARY**COMPANY  
Est. 1895

# 1-Gallon Round Container with FIG EZ Cover<sup>®</sup>

## Multiple Uses

Dry Products  
Liquid Products

## Product Codes

Container: **44WR1P**  
Description: 1-gallon round can

## Cover: **T1FZ**

Description: Tamper-evident, round EZ Cover<sup>®</sup>  
flowed-in gasket

## Features

Gauge: 50 mil.  
Nominal capacity: 1 USG / 3.8 L  
Stack performance: 150 lbs.\*  
Tare weights: Body: .44 lbs. / .20 kgs.  
Cover: .20 lbs. / .09 kgs.

Note: \*Ratings will be reduced with uneven load distribution.

## Specifications with Cover

Dimensions: 8-1/4"D X 7-5/16"H  
Maximum capacity: 1.1 USG / 4.2 L  
Tare weight: .64 lbs. / .29 kgs.

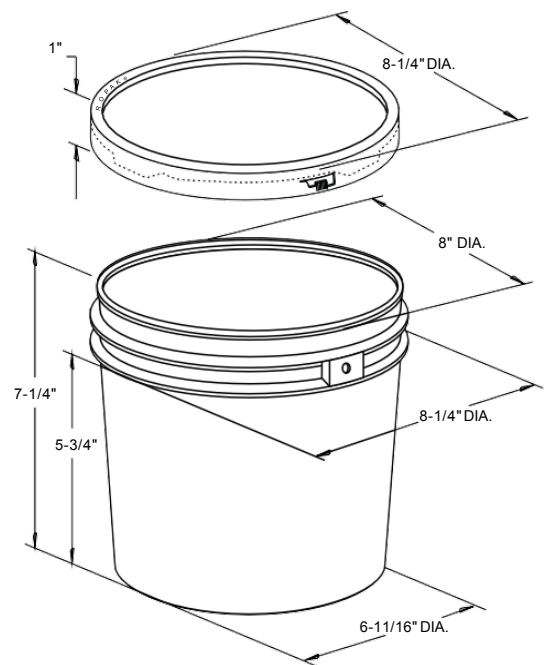
## Colors

Standard: White, Black and Natural  
Custom: Available at manufacturer's discretion

## Decorating Options

Silk - Screening: 20-3/4"W X 4-1/2"H  
Four or six\* color offset printing  
Print area: 22-3/4"W X 4-1/2"H  
Sleeve or pressure sensitive labeling

Note: \*Where available



## Shipping Data

Qty. per pallet:  
Gross Weight (lbs./kgs.):  
Den. (lbs./C.F./kgs./m3):  
Length (in./cm.):  
Width (in./cm.):  
Height (in./cm.):

## Bodies

450  
198/90  
5.8/92.6  
49.5/125.7  
41.3/104.9  
29/73.7

## Covers

3,000 (20 boxes of 150)  
600/270  
6.5/103.1  
50.5/128.3  
42.5/107.9  
74.5/189.2

## Filled Containers

180 (30 per layer/6 layers high)  
Pallet height: 48"

Estimated truckload quantity of 25,650 bodies and covers\*\*

Notes: \*Weight does not include pallet/packaging  
\*\*Truckload quantity based on 53' trailer

## Materials

FDA approved materials  
Resin: Body: High-Density Polyethylene (HDPE)  
Cover: High-Density Polyethylene (HDPE)  
Hot Melt Synthetic Resin – Flowed-in Gasket  
MSDS Sheets available upon request

## Optional Carrying Handle