

# IF YOU...



MIX IT. FILL IT. PACK IT. SHIP IT.

# WE HAVE A PRODUCT FOR YOU

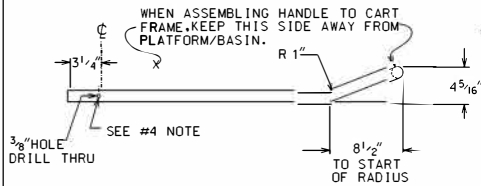
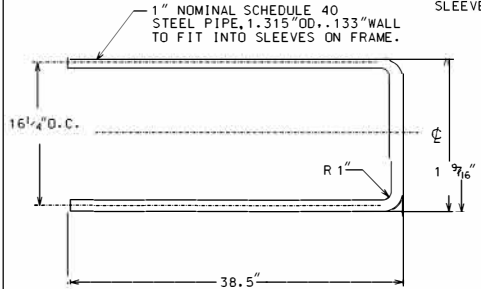


Part #	56B2DC
Color	Yellow
Material	Steel/HDPE
Capacity	2-Drum Unit
Spill Capacity	30 gal.
Load Capacity	2,000 lbs.
Dimensions	56"L x 28"W x 41"H
Weight	92 lbs.



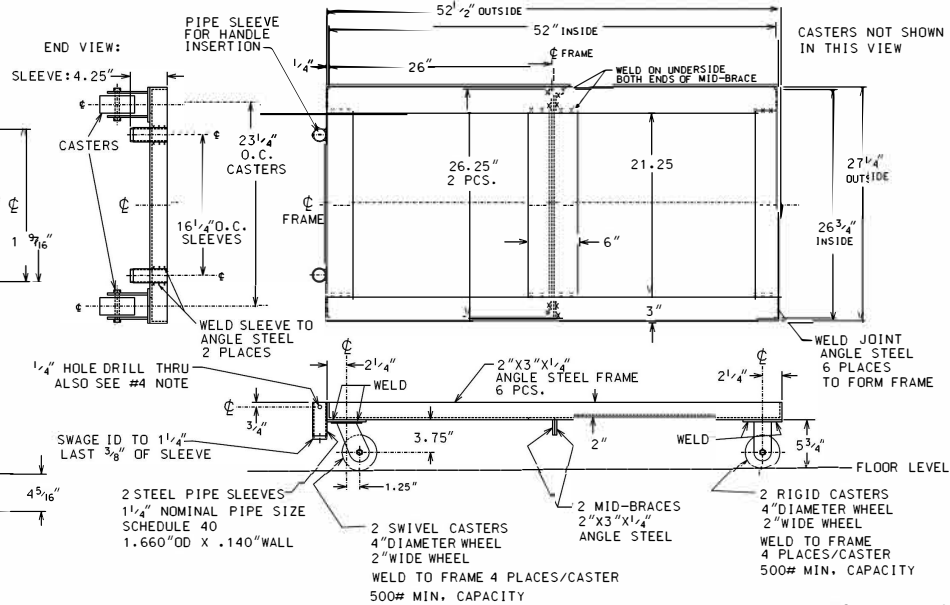
### HANDLE WELDMENT:

- #1- NOTE: PAINT FINAL ASSEMBLY BLACK
- #2- NOTE: 1 PIECE HANDLE WITH 4 BENDS.



### FRAME WELDMENT:

- #3- NOTE: PAINT FINAL ASSEMBLY BLACK
- #4- NOTE: DRILL SLEEVE AND HANDLE ON LEFT OR RIGHT SIDE AND INSERT REMOVEABLE KEEPER PIN, TO PREVENT HANDLE FROM BECOMING ACCIDENTALLY DISLODGED DURING USE. 1/4" X 3.25" COTTER PIN OK FOR KEEPER PIN.



DWG.NO. PD-905  
 MOBILE SPILL CONTROL PLATFORM  
 MODEL# 1637