

# IF YOU...



MIX IT. FILL IT. PACK IT. SHIP IT.

# WE HAVE A PRODUCT FOR YOU



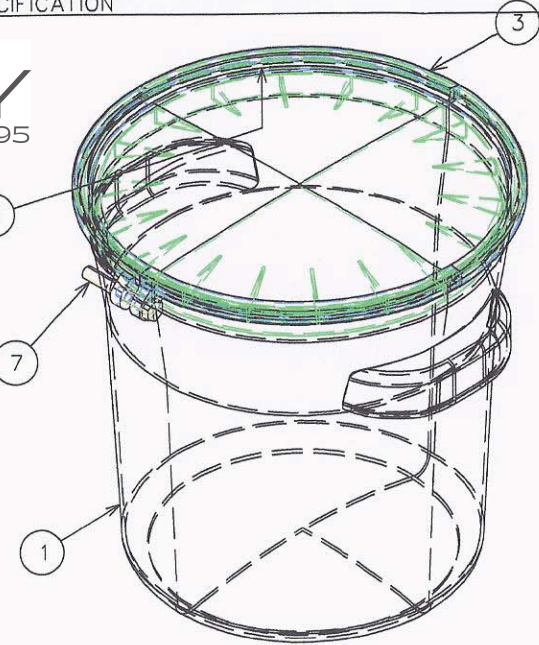
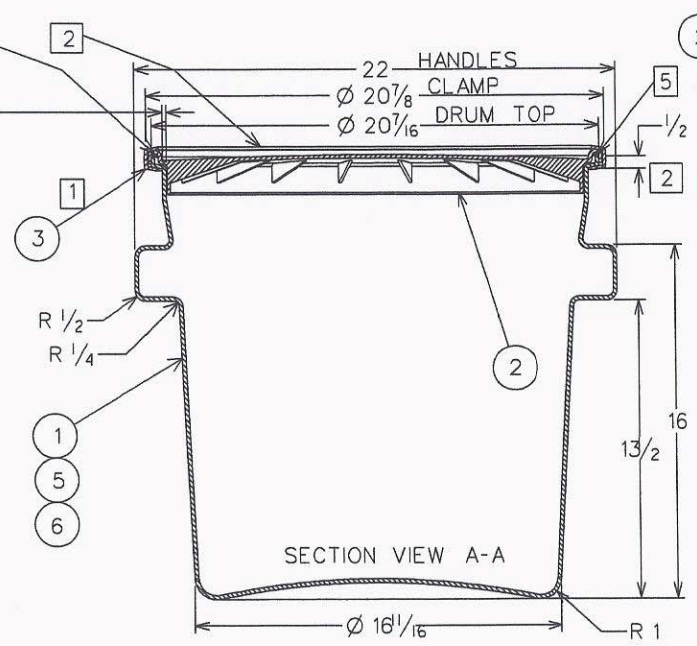
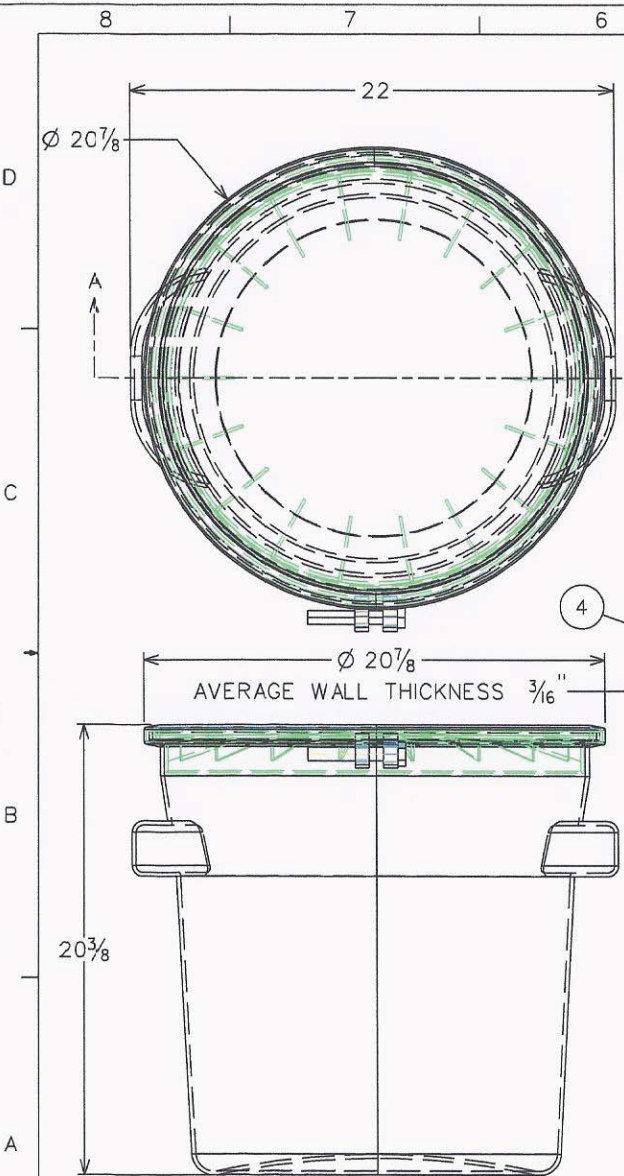
Part #	56BSV2
Capacity	20 gal.
Color	Yellow
Material	HDPE
Closure	Cover w/ Lever Lock Ring Closure
Dimensions	22" Dia. (top) x 16.6875" Dia. (bottom) x 20.375"H (inside dimensions)
Pallet Pack	40 Drums
UN Rating Solid	UN1H2/X75/S
DOT Specification	49 CFR 173.3



REV. NO.	MARK	NO. REQ'D.	PART NO.	BILL OF MATERIALS
3	2	1	1	DRUM BODY
4	2	2	1	LID
1	3	1	1	BAND CLAMP
2	4	1	1	GASKET
5	5	1	1	DRUM COLOR
6	6	1	1	UV
7	7	1	1	BOLT

REVISIONS				
MARK	DATE	BY	DESCRIPTION	
1	7/20/99	D.J.M.	CHANGED PART NO. 12SE657F TO 12SE654F TO SHOW LENGTH CHANGE FROM 65 7/8" TO 65 1/2" LONG	
2	1/10/00	D.J.M.	CHANGED CUT-OFF HEIGHT OF BODY TO 1/2"; CHANGED LID GASKET WEIGHT TO 18.6 GRAMS (HALF FULL)	
3	10/2/01	D.J.M.	CHANGED FROM SOLVAY *B54-25H-01HDPE PLASTIC RESIN (9 LBS.) TO *B53-35H-01HDPE	
4	10/2/01	D.J.M.	CHANGED SUPPORT RIB DESIGN; INCREASED WALL THICKNESS; MORE RECESS IN TOP SURFACE OF LID	
5	6/02/11	S.T.T.	CHANGED GASKET MATERIAL TO 611 SPECIFICATION	

The  
**CARY COMPANY**  
Est. 1895



u	1H2/X75/S/XX	MODEL 1654
n	USA/M4990	
20 GAL. SALVAGE DRUM		
ASSEMBLY DRAWING		
HEAVY DUTY PLASTIC LID		
WITH STEEL BAND AND BOLT		
DATE	REV. NO.	REV.
D	PD-900	5
DRAWN: JULY 6, 1998		
DRAWN BY D.J.M. [REVISION DATE: 11/30/11]		

" CONFIDENTIAL "